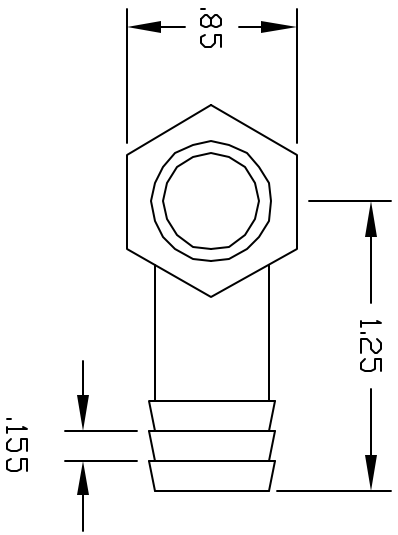
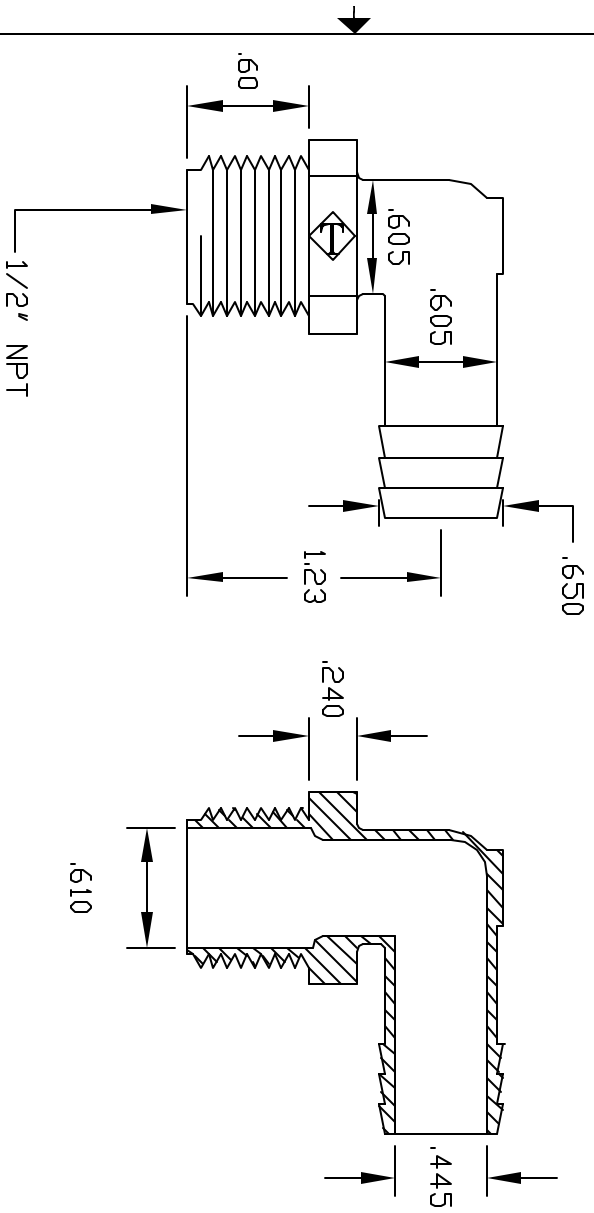


REVISIONS				
ZONE	REV	DESCRIPTION	DATE	APPROVED
	A	REDRAWN & RELEASED	4/97	4/97
	B	DIM 0.590 REMOVED	01/06/2000	BM



CONTROLLED DOCUMENT
ONLY IF IN RED

CONFIDENTIAL
THIS PRINT AND THE SPECIFICATIONS ARE THE PROPERTY OF THOGUS PRODUCTS COMPANY AND HAVE BEEN ISSUED WITH THE UNDERSTANDING THAT IT IS TO BE KEPT FOR THE MANUFACTURE OF THIS PRODUCT AND WILL BE RETURNED UPON REQUEST.

UNLESS OTHERWISE SPECIFIED
DIMENSIONS ARE IN INCHES
TOLERANCES UNLESS SHOWN
XX +/- .05
XXX +/- .015
DRAWN NM DATE
MATERIAL POLYETHYLENE
PART NUMBER 20810SP

Part Name: 1/2NPT X 5/8 BARB ELBOW
THOGUS PRODUCTS 33490 PIN DAK PARKWAY
AYDON LAKE OHIO 44012
SCALE 1:1 SHEET 1 of 1 REV B

THE INFORMATION ON THIS DRAWING IS UNCLASSIFIED