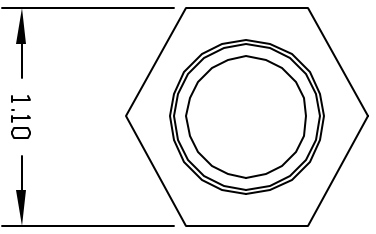
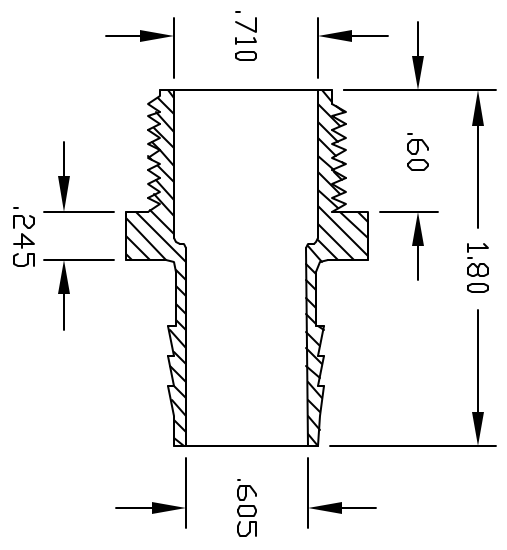
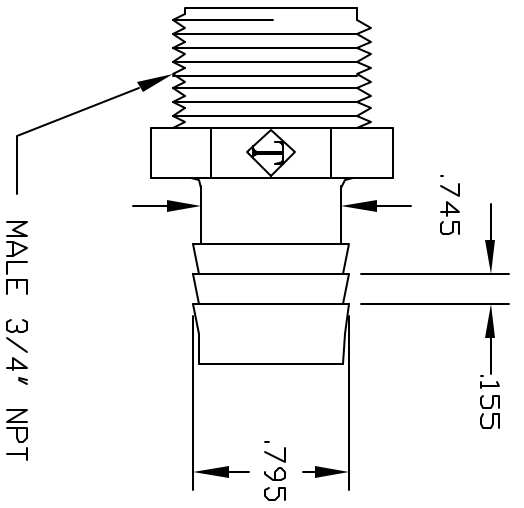


REVISIONS				
ZINC	REV	DESCRIPTION	DATE	APPROVED
		A NEW PROTO	9/99	



CONTROLLED DOCUMENT  
ONLY IF IN RED

**CONFIDENTIAL**  
THIS PRINT AND THE SPECIFICATIONS ARE THE PROPERTY OF THOGUS PRODUCTS COMPANY AND HAVE BEEN ISSUED WITH THE UNDERSTANDING THAT IT IS TO BE USED FOR THE MANUFACTURE OF THE PARTS AND WILL BE RETURNED UPON REQUEST.

UNLESS OTHERWISE SPECIFIED DIMENSIONS ARE IN INCHES		Part Name:	
DECIMAL FRACTIONS	3/16" ±.005	3/4 NPT X 3/4 BARBED ADAPTER	
FRACTIONS	1/32" ±.001	THOGUS PRODUCTS 33490 PIN DAK PARKWAY	
ANGLES	±.01	AVON LAKE OHIO 44012	
THREADS	±.01	Part Number: TA101212/P	
DRAWN	M.S.	DATE	9/97
CHECKED		MATERIAL	POLYETHYLENE
SCALE	1:1	SHEET	1 of 1
REV	A		

THE INFORMATION CONTAINED HEREIN IS UNCLASSIFIED