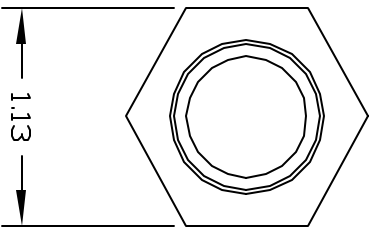
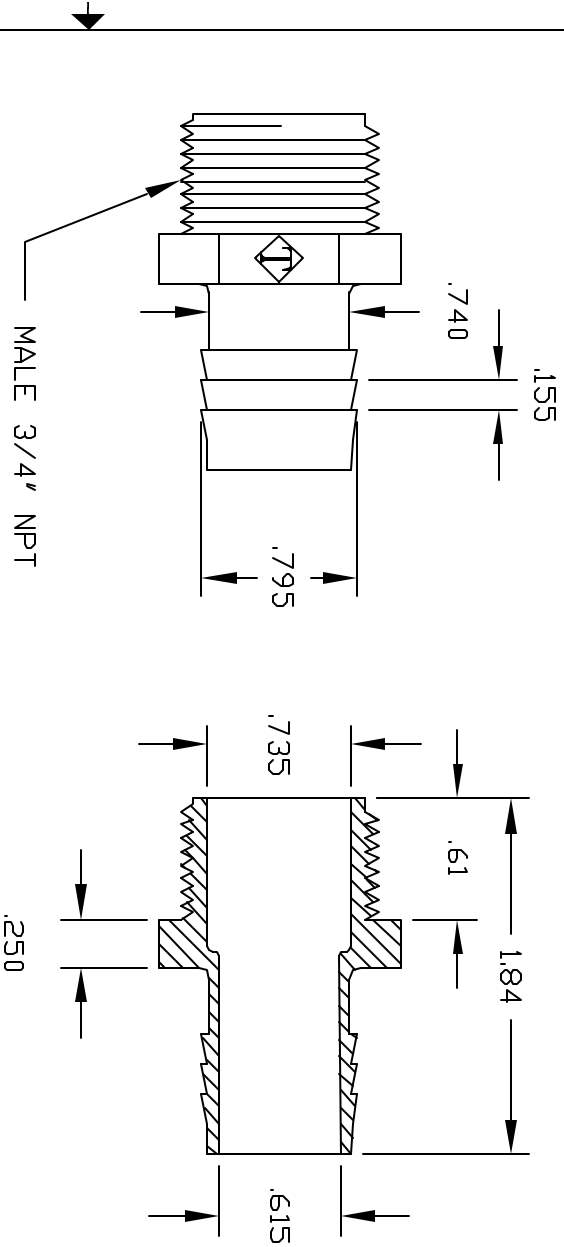


REVISIONS				
ZINC	REV	DESCRIPTION	DATE	APPROVED
		NEW PROTO	9/99	



COLOR: BLACK (PPB)  
 NATURAL (PPN)

CONTROLLED DOCUMENT  
 ONLY IF IN RED

**CONFIDENTIAL**  
 THIS PRINT AND THE SPECIFICATIONS ARE THE PROPERTY OF THOGUS PRODUCTS COMPANY AND HAVE BEEN ISSUED WITH THE UNDERSTANDING THAT THEY ARE NOT TO BE REPRODUCED, COPIED, OR TRANSMITTED IN ANY MANNER WITHOUT THE WRITTEN PERMISSION OF THOGUS PRODUCTS COMPANY. ANY UNAUTHORIZED REPRODUCTION OR USE WILL BE RETURNED UPON REQUEST.

UNLESS OTHERWISE SPECIFIED DIMENSIONS ARE IN INCHES		Part Name:	
DECIMAL FRACTIONS	±.005	3/4 NPT X 3/4 BARBED ADAPTER	
FRACTIONS	±.0005		
ANGLES	±.01		
HOLES	±.005		
TECHNICAL DRAWING	±.005		
DATE	9/97	Part Number	TA101212/PP
DRAWN	M.S.	SCALE	1:1
MATERIAL	POLYPROPYLENE	SHEET	1 of 1

THOGUS PRODUCTS 33490 PIN DAK PARKWAY  
 AVON LAKE OHIO 44012