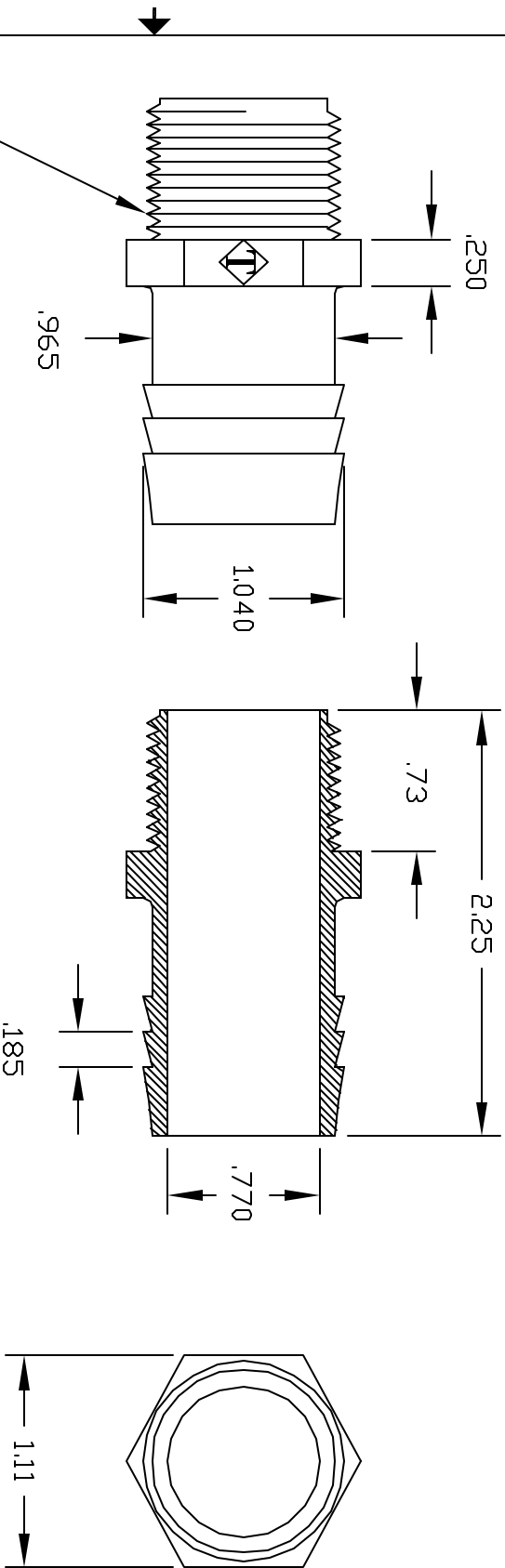


REVISIONS			
REV	DESCRIPTION	DATE	APPROVED
A	REDRAWN & RELEASED	6/87	6/98
B	REVISED BARBS	05/01	05/01



CONTROLLED DOCUMENT
ONLY IF IN RED

COMMENTS:
THIS PRINT AND THE SPECIFICATIONS
HEREON ARE THE PROPERTY OF THOGUS
PRODUCTS COMPANY AND HAVE BEEN
ISSUED WITH THE UNDERSTANDING THAT
IT WILL NOT BE REPRODUCED,
REVEALED TO OR USED FOR THE
MANUFACTURE FOR OTHERS AND WILL
BE RETURNED UPON REQUEST.

UNLESS OTHERWISE SPECIFIED DIMENSIONS ARE IN INCHES		Part Name 3/4 NPT X 1 BARB ADAPTER	
DECIMALS .XX	TOLERANCES ANGULAR ±.05	DRAWN BM	DATE 9/97
THOUSANDS .XXX	FRACTIONS ±.05	FLAWLINE 101216P	Part Number TA101216/P
MATERIAL POLYETHYLENE		SCALE 1:1	SHEET 1 OF 1
THOGUS PRODUCTS 33490 PIN DAK PARKWAY AVON LAKE OHIO 44012		REV B	

THOGUS PRODUCTS COMPANY