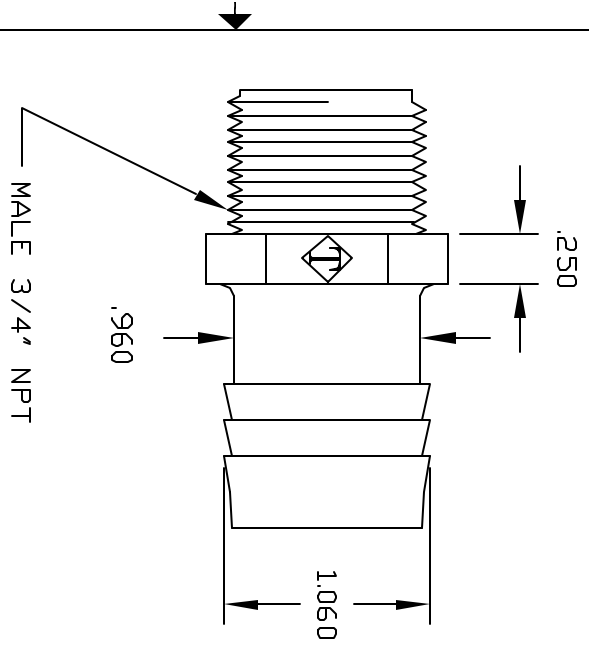
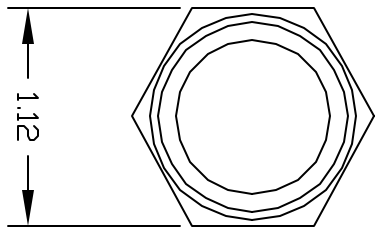
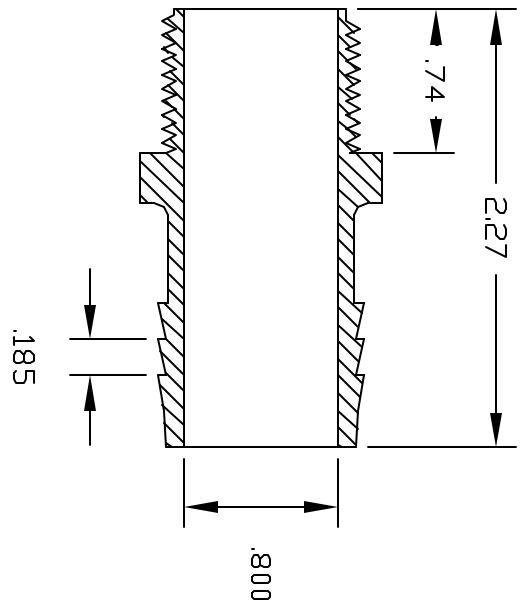


REVISIONS			
REV	DESCRIPTION	DATE	APPROVED
A	REDRAWN & RELEASED	9/97	9/97
B	REVISED BARBS	05/01	05/01



MALE 3/4" NPT



COLOR: BLACK (PPB)

NATURAL (PPN)

CONTROLLED DOCUMENT
ONLY IF IN RED

CONFIDENTIAL
THIS PRINT AND THE SPECIFICATIONS ARE THE PROPERTY OF THOGUS PRODUCTS COMPANY AND HAVE BEEN ISSUED WITH THE UNDERSTANDING THAT IT IS TO BE USED FOR THE MANUFACTURE OF THIS PRODUCT ONLY. IT IS TO BE RETURNED UPON REQUEST.

UNLESS OTHERWISE SPECIFIED DIMENSIONS ARE IN INCHES	DRAWN	DATE	Part Name
TOLERANCES XX +/- .05 XXX +/- .015	NM	9/97	3/4 NPT X 1 INCH BARBED ADAPTER
DESIGNED BY	MATERIAL	Part Number	THOGUS 33490 PIN DAK PARKWAY PRODUCTS AYDON LAKE OHIO 44012
101216PP	POLYPROPYLENE	TA101216/PP	
		SCALE 1:1	SHEET 1 of 1

SEE DRAWING FOR DIMENSIONS AND TOLERANCES