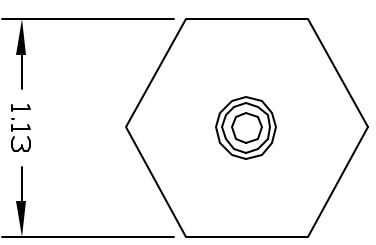
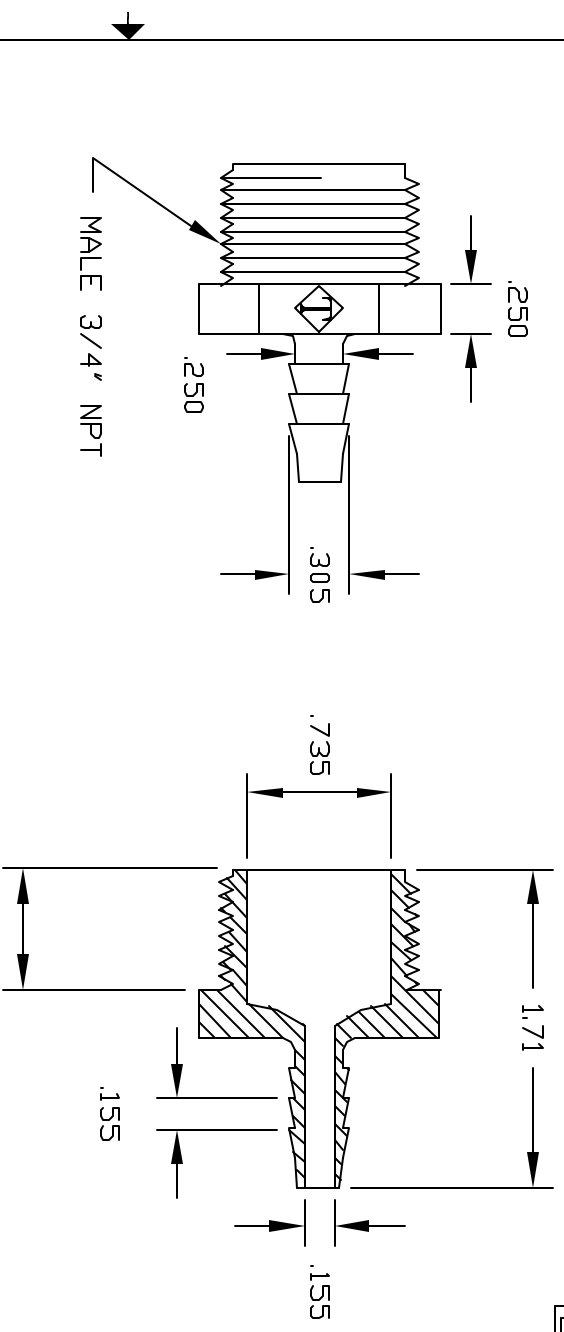


REVISIONS			
REV	DESCRIPTION	DATE	APPROVED
A	REDRAWN & RELEASED	9/97	9/97
B	MODIFY BARBS	12/02	12/02



COLOR: BLACK (PPB)
 NATURAL (PPN)

UNLESS OTHERWISE SPECIFIED DIMENSIONS ARE IN INCHES		Part Name	3/4NPT X 1/4 BARB ADAPTER
TOLERANCES	FRACTIONS	DRAWN	NM
XX +/- .05	1/4	DATE	9/97
XXX +/- .015	1/16	MATERIAL	POLYPROPYLENE
10124PP	10124PP	Part Number	TA10124/PP
SCALE 1:1	SHEET 1	of	1

CONFIDENTIAL
 THIS PRINT AND THE SPECIFICATIONS ARE THE PROPERTY OF THOGUS PRODUCTS COMPANY AND HAVE BEEN ISSUED WITH THE UNDERSTANDING THAT REVIEW AND REUSE FOR THE MANUFACTURE FOR OTHERS AND WILL BE RETURNED UPON REQUEST.

CONTROLLED DOCUMENT
 ONLY IF IN RED

THOGUS PRODUCTS
 33490 PIN OAK PARKWAY
 AVON LAKE OHIO 44012