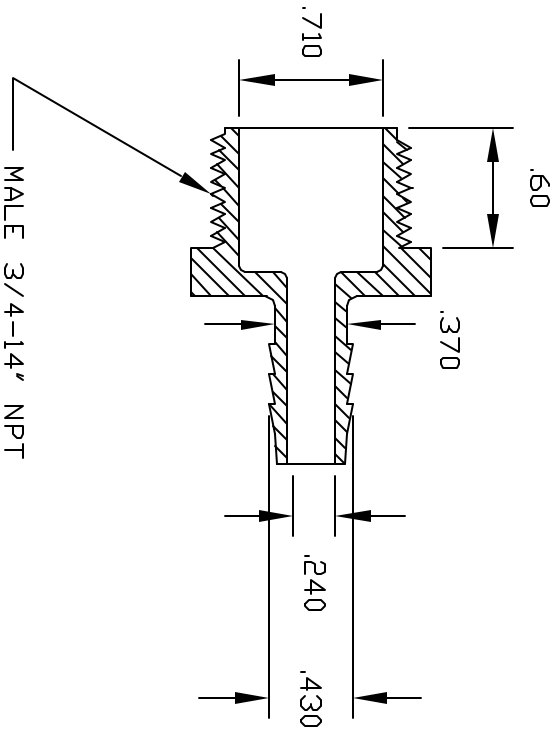
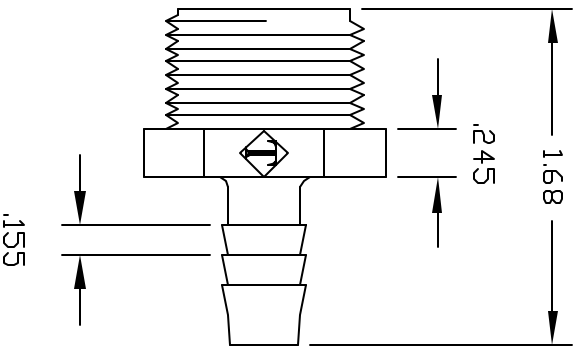
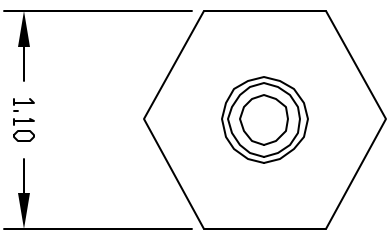


REVISIONS			
REV	DESCRIPTION	DATE	APPROVED
A	REDRAWN & RELEASED	9/97	9/97
B	MODIFIED BARBS UPDATE DIMENSIONS	05/02	05/02



MALE 3/4-14" NPT



CONTROLLED DOCUMENT
ONLY IF IN RED

CONFIDENTIAL
THIS PRINT AND THE SPECIFICATIONS ARE THE PROPERTY OF THOGUS PRODUCTS COMPANY AND HAVE BEEN ISSUED WITH THE UNDERSTANDING THAT IT IS TO BE KEPT FOR THE USE OF THE MANUFACTURE FOR OTHERS AND WILL BE RETURNED UPON REQUEST.

UNLESS OTHERWISE SPECIFIED DIMENSIONS ARE IN INCHES	
DRAWN	FIELD
NM	10126P
DATE	9/97
MATERIAL	POLYETHYLENE

Part Name:	
3/4 NPT X 3/8 BARB ADAPTER	Part Number:
THOGUS PRODUCTS	TA10126/P
33490 PIN DAK PARKWAY	REV
AVON LAKE OHIO 44012	B
SCALE 1:1	SHEET 1 of 1

THOGUS PRODUCTS COMPANY
33490 PIN DAK PARKWAY
AVON LAKE, OHIO 44012
PHONE: (440) 385-2000
FAX: (440) 385-2001
WWW.THOGUS.COM