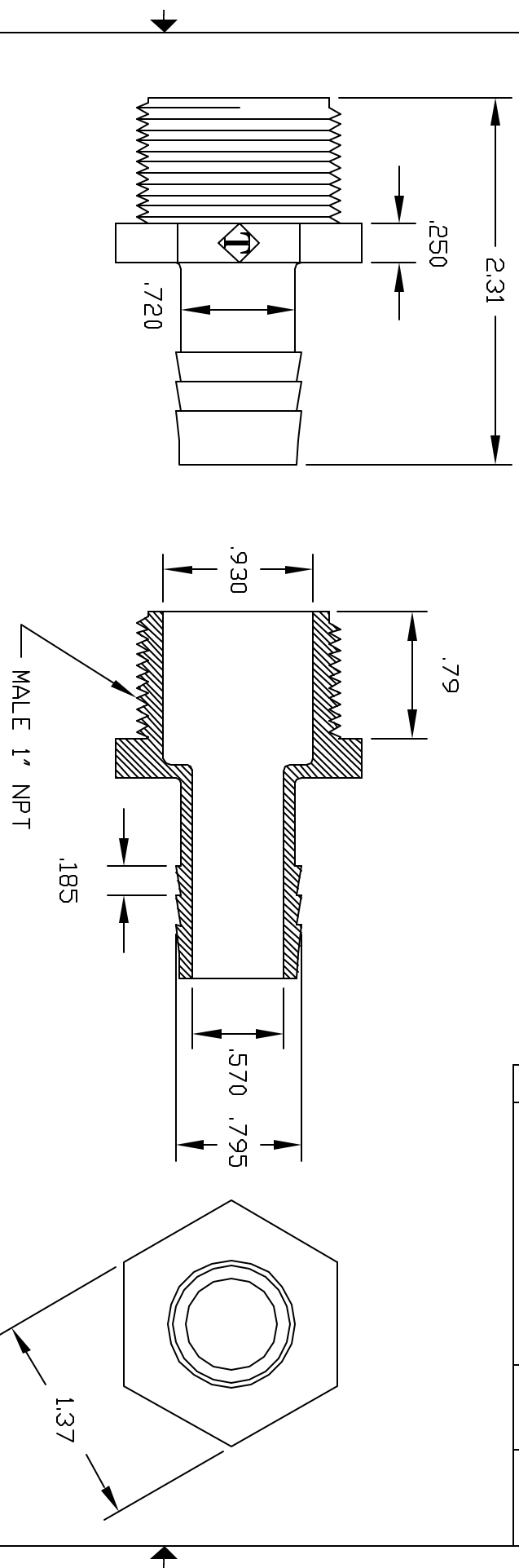


REVISIONS			
REV	DESCRIPTION	DATE	APPROVED
A	REDRAWN & RELEASED	6/98	6/98
B	REVISED BARBS	05/01	05/01



CONTROLLED DOCUMENT
ONLY IF IN RED

CONFIDENTIAL
THIS PRINT AND THE SPECIFICATIONS ARE THE PROPERTY OF THOGUS PRODUCTS COMPANY AND HAVE BEEN ISSUED WITH THE UNDERSTANDING THAT IT IS TO BE KEPT FOR THE MANUFACTURE OF THIS PART AND WILL BE RETURNED UPON REQUEST.

UNLESS OTHERWISE SPECIFIED DIMENSIONS ARE IN INCHES		TOLERANCES	
XX	+/- .05	XX	+/- .05
XXX	+/- .015	XXX	+/- .015

DRAWN	NM	DATE	9/97
MATERIAL	101612P		
POLYETHYLENE			

Part Name	1 NPT X 3/4 BARB ADAPTER
Part Number	TA101612/P
Scale	1:1
Sheet	1 of 1

THOGUS PRODUCTS
33490 PIN DAK PARKWAY
AVON LAKE OHIO 44012