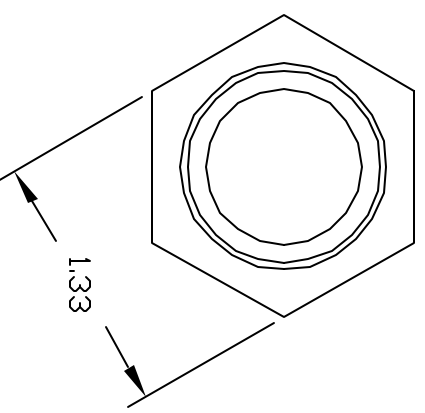
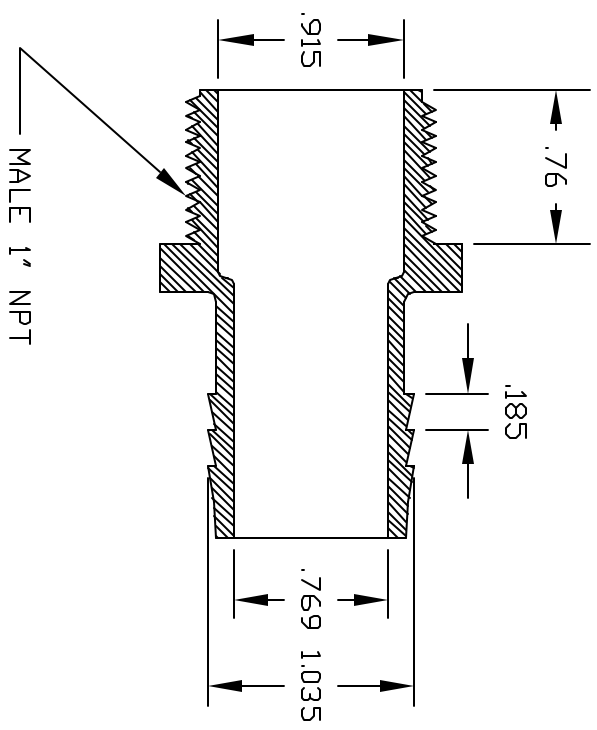
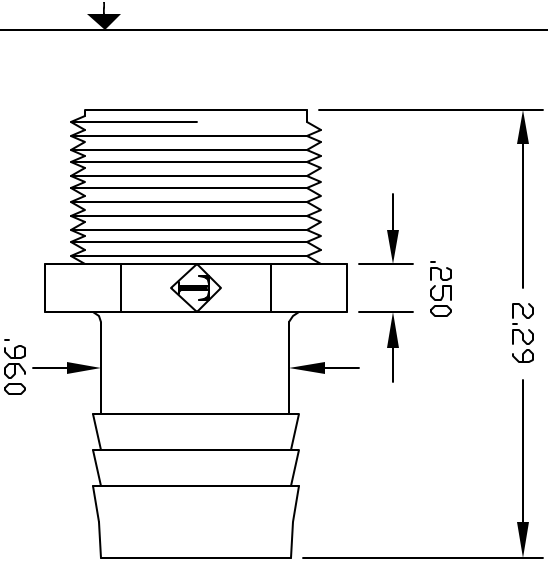


REVISIONS			
REV	DESCRIPTION	DATE	APPROVED
A	REDRAWN & RELEASED	9/97	9/97
B	REVISED BARBS	05/01	05/01



UNLESS OTHERWISE SPECIFIED DIMENSIONS ARE IN INCHES TOLERANCES UNLESS SHOWN XX +/- .05 XXX +/- .015		Part Number 1 NPT X 1 BARB ADAPTER	
DRAWN NM	DATE 9/97	THOGUS PRODUCTS 33490 PIN DAK PARKWAY AVON LAKE OHIO 44012	
MATERIAL POLYETHYLENE	Part Number TA101616/P	SCALE 1:1	REV B
THIS PRINT AND THE SPECIFICATIONS ARE THE PROPERTY OF THOGUS PRODUCTS COMPANY AND HAVE BEEN ISSUED WITH THE UNDERSTANDING THAT THE USER AND HIS CUSTOMER SHALL BE RESPONSIBLE FOR THE DESIGN AND MANUFACTURE OF THE PARTS AND WILL BE RETURNED UPON REQUEST.		SHEET 1	OF 1

CONTROLLED DOCUMENT  
ONLY IF IN RED