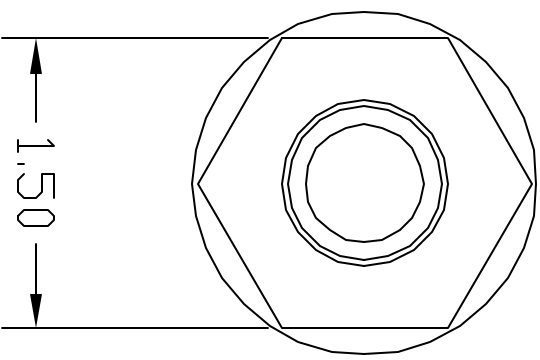
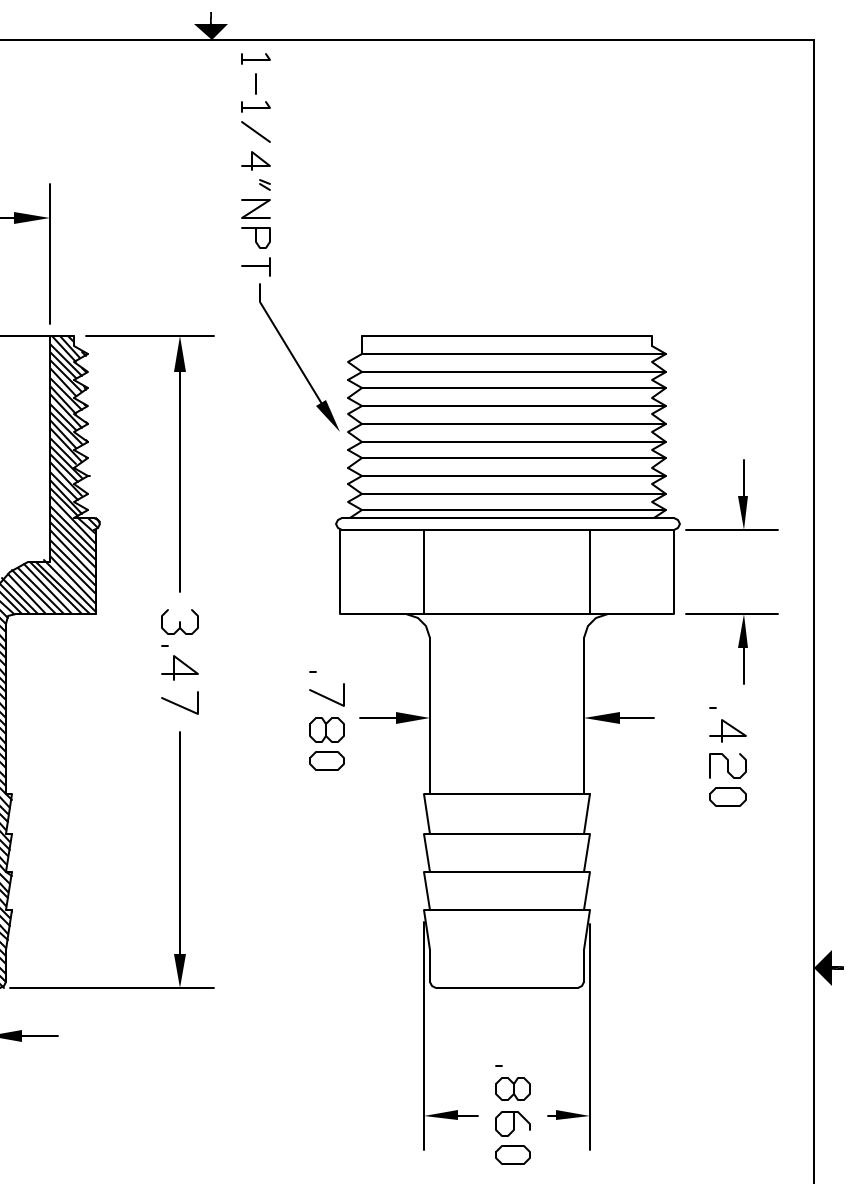


REV	DESCRIPTION	DATE	APPROVED
A	DRAWN & RELEASED	2/98	2/98
B	UPDATE DWG	8/07	8/07



CONTROLLED DOCUMENT
ONLY IF IN RED

CONFIDENTIAL
THIS PRINT AND THE SPECIFICATIONS ARE THE PROPERTY OF THOGUS PRODUCTS COMPANY AND HAVE BEEN ISSUED WITH THE UNDERSTANDING THAT IT IS TO BE KEPT FOR THE USE OF THE MANUFACTURE FOR OTHERS AND WILL BE RETURNED UPON REQUEST.

UNLESS OTHERWISE SPECIFIED DIMENSIONS ARE IN INCHES	Part Name	1-1/4NPT X 3/4 BARB ADAPTER	
TOLERANCES UNLESS SPECIFIED	DRAWN	NM	
XX +/- .05	MATERIAL	102012N NYLON	
XXX +/- .015	SCALE	TA102012/N	
	SHEET	1	of 1
	THOGUS PRODUCTS 33490 PIN DAK PARKWAY AYOON LAKE OHIO 44012		