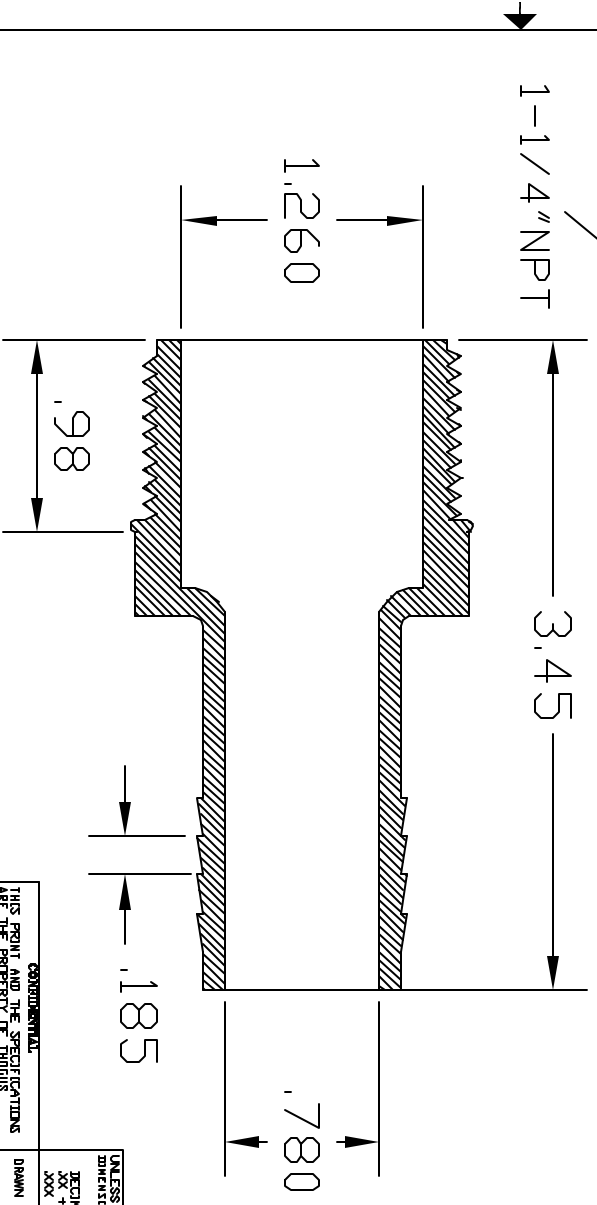
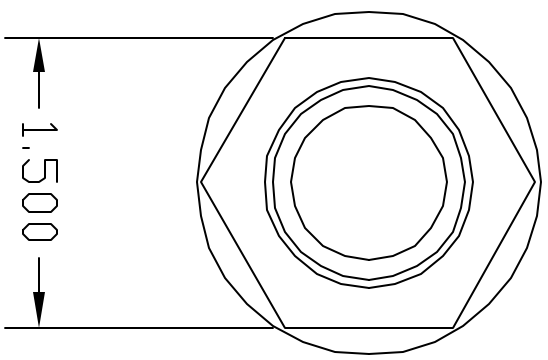
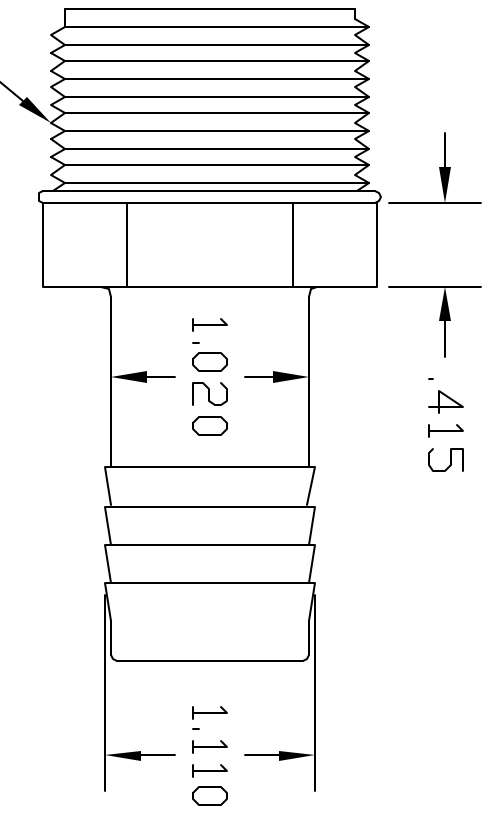


REVISIONS			
REV	DESCRIPTION	DATE	APPROVED
A	DRAWN & RELEASED	2/98	2/98
B	UPDATE DWG	8/07	8/07



CONTROLLED DOCUMENT
ONLY IF IN RED

CONFIDENTIAL
THIS PRINT AND THE SPECIFICATIONS ARE THE PROPERTY OF THOGUS PRODUCTS COMPANY AND HAVE BEEN ISSUED WITH THE UNDERSTANDING THAT REVELATION OF THE DESIGN OR THE MANUFACTURE FOR OTHERS AND WILL BE RETURNED UPON REQUEST.

UNLESS OTHERWISE SPECIFIED DIMENSIONS ARE IN INCHES		TOLERANCES UNLESS INDICATED	
XX	+/- .05	YY	+/- .05
XXX	+/- .015		
DRAWN	DATE	Part Name	
BM	8/98	1-1/4NPT X 1 BARB ADAPTER	
DESIGNED		THOGUS 33490 PIN DAK PARKWAY	
102016N		PRODUCTS AYOON LAKE OHIO 44012	
MATERIAL		Part Number	SCALE
NYLON		TA102016/N	1 of 1
		SHEET	1 of 1

THOGUS PRODUCTS COMPANY
33490 PIN DAK PARKWAY
AYOON LAKE, OHIO 44012
TEL: 440-285-1000 FAX: 440-285-1001