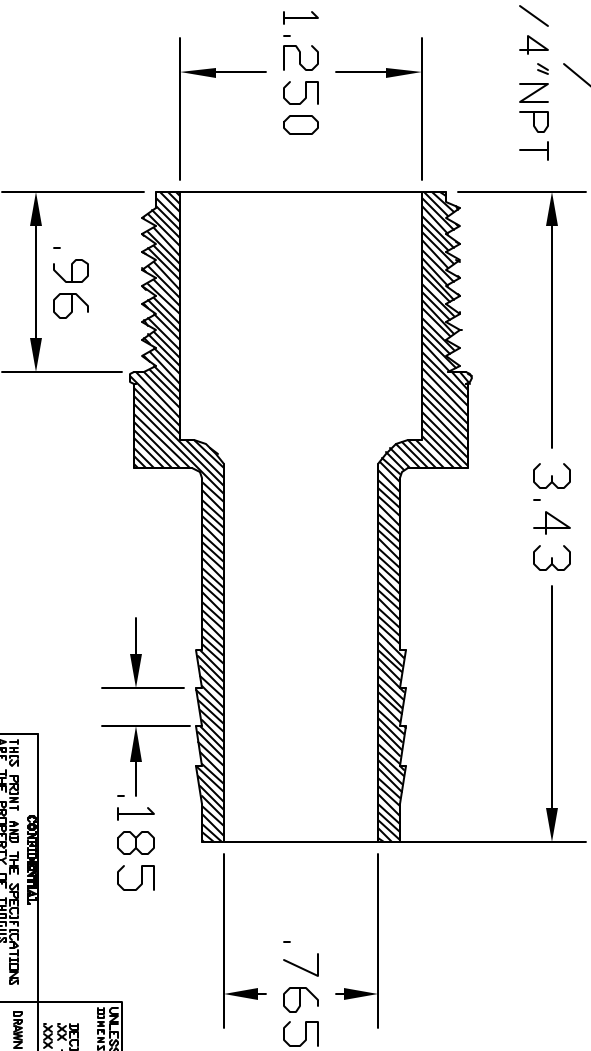
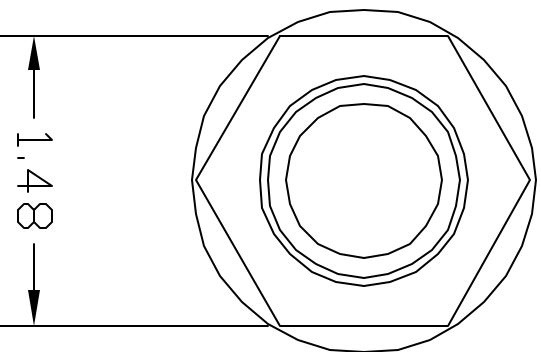
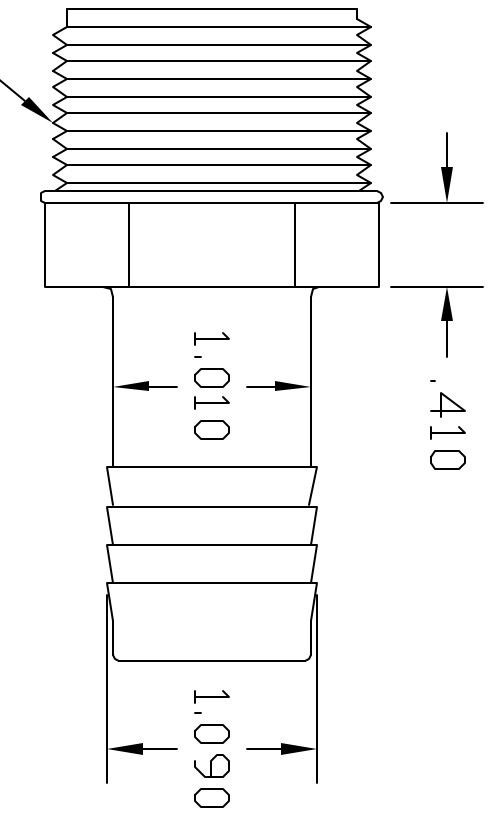


REVISIONS			
REV	DESCRIPTION	DATE	APPROVED
A	DRAWN & RELEASED	2/98	2/98



COLOR: BLACK (PPB)  
NATURAL (PPN)

CONTROLLED DOCUMENT  
ONLY IF IN RED

CONFIDENTIAL  
THIS PRINT AND THE SPECIFICATIONS ARE THE PROPERTY OF THOGUS PRODUCTS COMPANY AND HAVE BEEN ISSUED WITH THE UNDERSTANDING THAT REVISIONS WILL BE MADE AS NECESSARY TO REVEAL AND CORRECT DEFECTS IN THE MANUFACTURE OF OTHERS AND WILL BE RETURNED UPON REQUEST.

UNLESS OTHERWISE SPECIFIED DIMENSIONS ARE IN INCHES	DATE
TOLERANCES UNLESS SHOWN OTHERWISE	8/98
XX +/- .05	
XXX +/- .015	
DRAWN	DATE
BM	8/98
PREPARED	
102016PP	
MATERIAL	
POLYPROPYLENE	

Part Name:	1-1/4NPT X 1 BARB ADAPTER
Part Number:	TA102016/PP
Scale:	1:1
Sheet:	1 of 1
THOGUS PRODUCTS	33490 PIN DAK PARKWAY AVON LAKE OHIO 44012

Small text at the bottom of the page, likely a copyright or disclaimer notice.