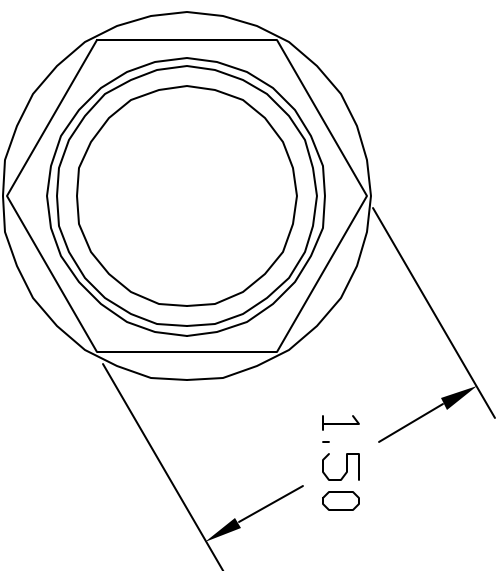
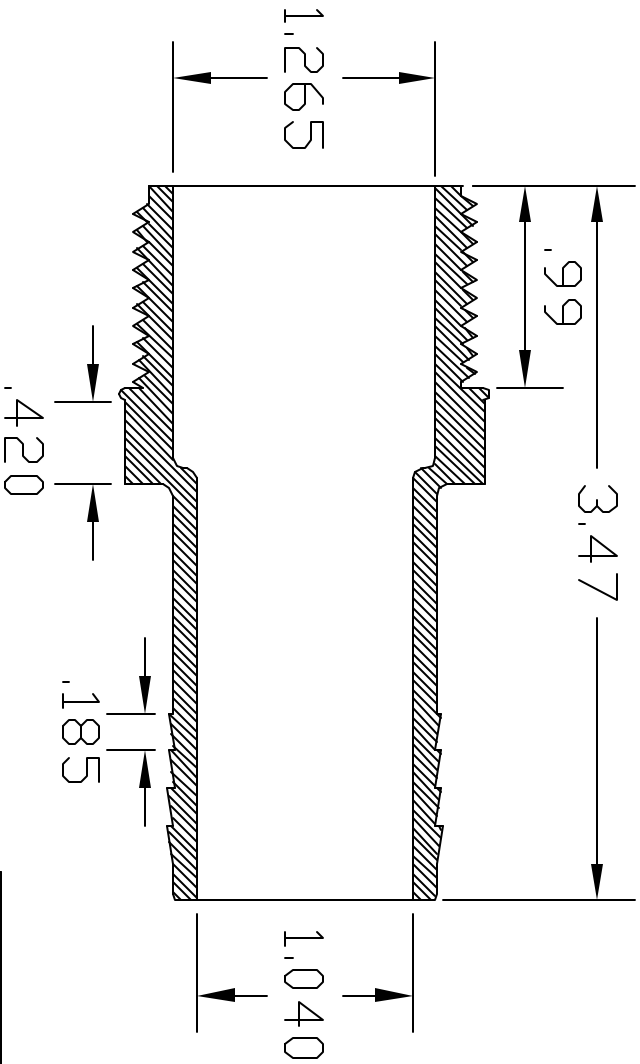
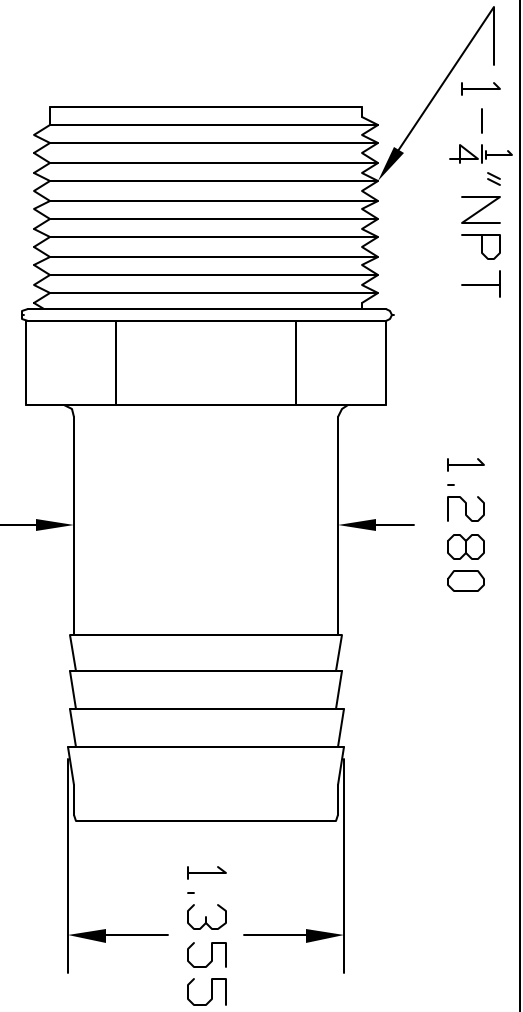


REV	DESCRIPTION	DATE	APPROVED
A	DRAWN	10/97	10/97
B	REDRAWN & UPDATED	02/17/00	BM
C	UPDATE DWG	8/07	8/07



CONTROLLED DOCUMENT
ONLY IF IN RED

CONFIDENTIAL
THIS PRINT AND THE SPECIFICATIONS
HEREIN ARE THE PROPERTY OF THOGUS
PRODUCTS COMPANY AND HAVE BEEN
ISSUED UNDER THE UNDERSTANDING THAT
IT WILL NOT BE REPRODUCED,
REVEALED TO OR USED FOR THE
MANUFACTURE FOR OTHERS AND WILL
BE RETURNED UPON REQUEST.

UNLESS OTHERWISE SPECIFIED
DIMENSIONS ARE IN INCHES
DECIMALS TOLERANCES ANGULAR
XX +/- .015 +/- .05
DRAWN BM
MATERIAL 102020N NYLON

PART NAME 1-1/4" NPT X 1-1/4" ADAPTER
THOGUS PRODUCTS 33490 PIN DAK PARKWAY
AVON LAKE OHIO 44012
PART NUMBER TA102020/N
SCALE 1:1 SHEET 1 OF 1