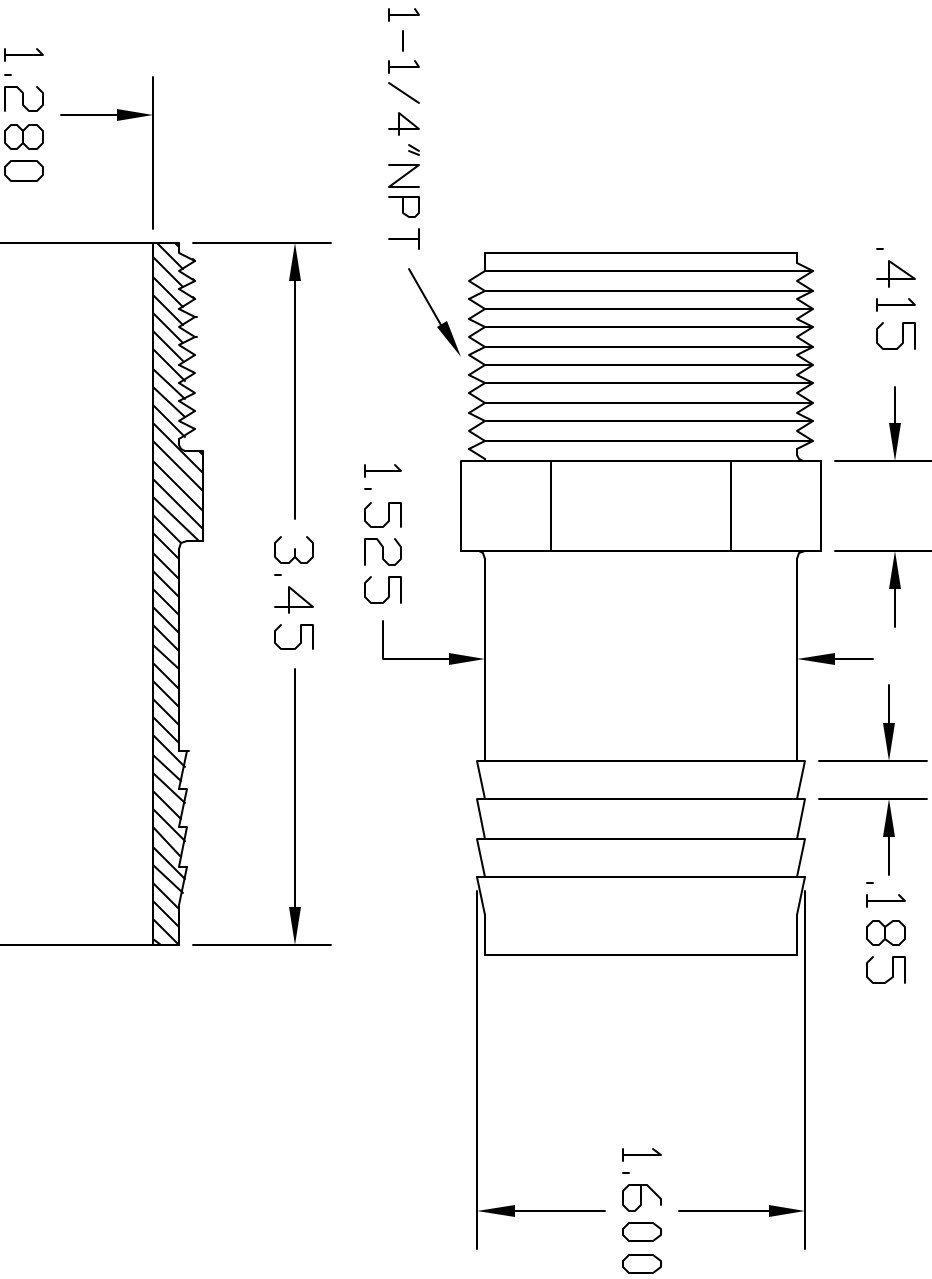


REV	DESCRIPTION	DATE	APPROVED
A	DRAWN	10/97	10/97
B	UPDATE DWG	8/07	8/07



CONTROLLED DOCUMENT  
ONLY IF IN RED

UNLESS OTHERWISE SPECIFIED DIMENSIONS ARE IN INCHES DECIMALS ANGULAR XXX X.XX X.X		DRAWN BM DATE 12/93	
THIS PRINT AND THE SPECIFICATIONS ARE THE PROPERTY OF THOGUS PRODUCTS COMPANY AND HAVE BEEN ISSUED WITH THE UNDERSTANDING THAT IT WILL NOT BE REPRODUCED, REVEALED TO OR USED FOR THE MANUFACTURE FOR OTHERS AND WILL BE RETURNED UPON REQUEST.		PART NAME 1-1/4NPT X 1-1/2 BARB ADAPTER <b>THOGUS</b> PRODUCTS 33490 PIN OAK PARKWAY AVDN LAKE OHIO 44012	
MATERIAL NYLON		PART NUMBER TA102024/N	
SCALE 1:1		SHEET 1 OF 1	