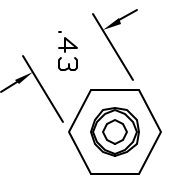
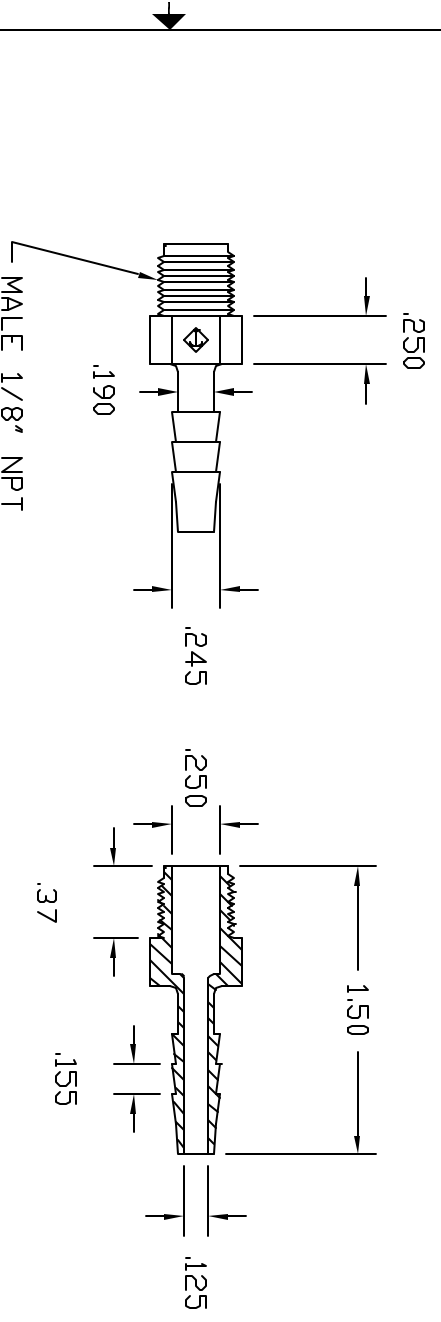


REVISIONS			
REV	DESCRIPTION	DATE	APPROVED
A	REDRAWN & RELEASED	8/97	8/97
B	MODIFY BARBS	01/02	01/02
C	UPDATE DWG	8/07	8/07



CONTROLLED DOCUMENT  
ONLY IF IN RED

CONDONATIONAL  
THIS PRINT AND THE SPECIFICATIONS ARE THE PROPERTY OF THOGUS PRODUCTS COMPANY AND HAVE BEEN ISSUED WITH THE UNDERSTANDING THAT IT IS TO BE USED FOR THE MANUFACTURE OF THIS PART ONLY. IT WILL BE RETURNED UPON REQUEST.

UNLESS OTHERWISE SPECIFIED DIMENSIONS ARE IN INCHES		Part Name	
DECIMAL FRACTIONS XX +/- .05		1/8 NPT X 3/16 BARB ADAPTER	
FRACTIONS XX +/- .015		Part Number	
TOLERANCES XX +/- .015		TA1023/N	
DRAWN NM		SCALE	
FOLLOWER		1 of 1	
MATERIAL NYLON		REV	
		C	

**THOGUS** 33490 PIN DAK PARKWAY  
PRODUCTS AYOON LAKE OHIO 44012

THOGUS PRODUCTS COMPANY  
33490 PIN DAK PARKWAY  
AYOON LAKE, OHIO 44012  
TEL: 419-293-8800 FAX: 419-293-8801  
WWW.THOGUS.COM