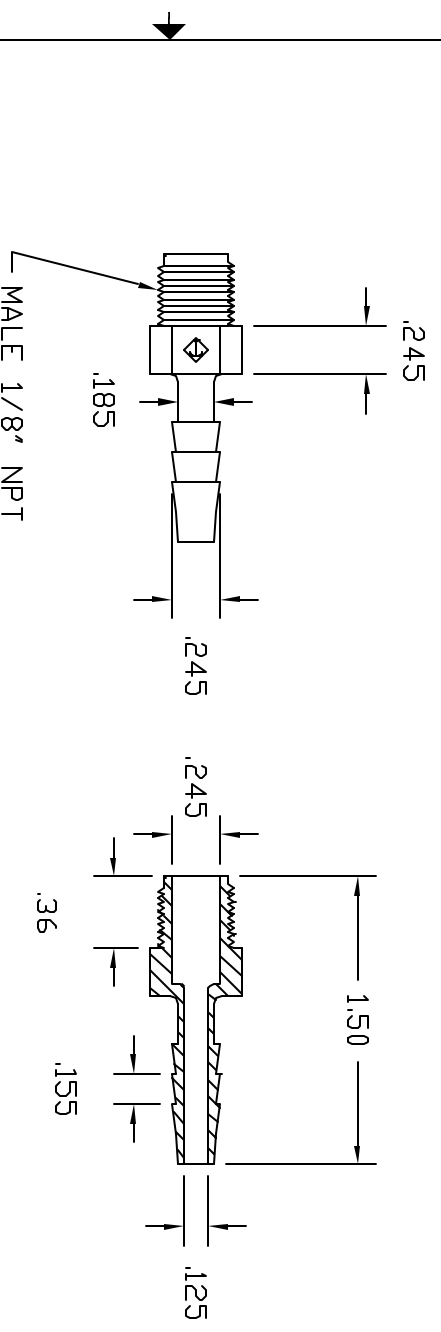


REVISIONS			
REV	DESCRIPTION	DATE	APPROVED
A	REDRAWN & RELEASED	8/97	8/97
B	MODIFY BARBS	01/02	01/02



CONTROLLED DOCUMENT
ONLY IF IN RED

CONFIDENTIAL
THIS PRINT AND THE SPECIFICATIONS ARE THE PROPERTY OF THOGUS PRODUCTS COMPANY AND HAVE BEEN ISSUED WITH THE UNDERSTANDING THAT IT IS TO BE USED FOR THE MANUFACTURE OF THE PARTS AND WILL BE RETURNED UPON REQUEST.

UNLESS OTHERWISE SPECIFIED DIMENSIONS ARE IN INCHES		PART NAME	
DECIMAL FRACTIONS	THREE PLACES	1/8" NPT X 3/16" ADAPTER	
XX +/- .05	YY +/- .05	THOGUS PRODUCTS	
XXX +/- .015	YYY +/- .015	33490 PIN DAK PARKWAY	
DRAWN NM		AYDON LAKE OHIO 44012	
FEDSPEC 1023P		Part Number TA1023/P	
MATERIAL POLYETHYLENE		SCALE 1:1	
		SHEET 1 of 1	
		REV B	

THOGUS PRODUCTS COMPANY, 33490 PIN DAK PARKWAY, AYDON LAKE, OHIO 44012, U.S.A.