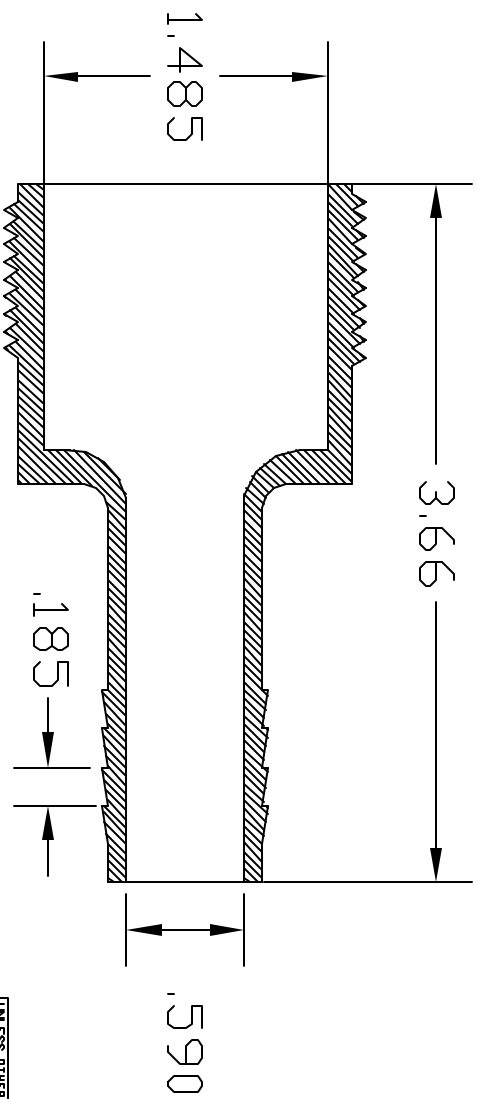
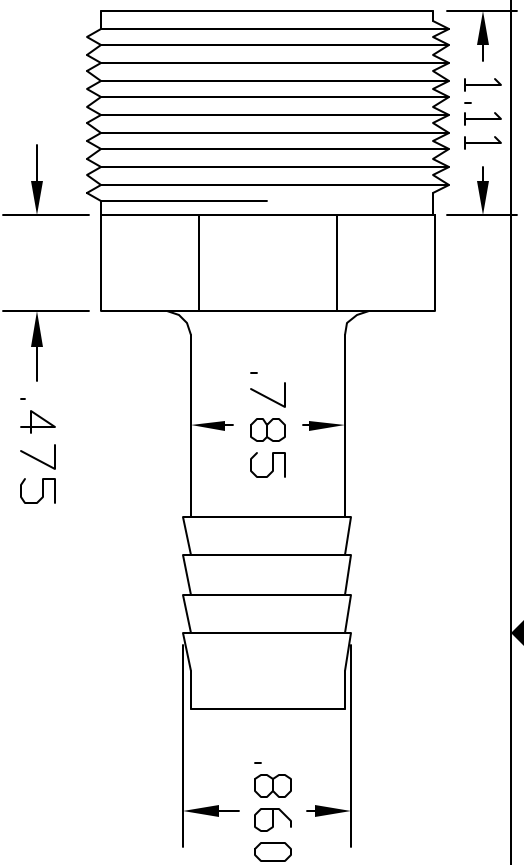


REVISIONS			
REV	DESCRIPTION	DATE	APPROVED
A	DRAWN	10/97	10/97
B	UPDATE DWG	8/07	8/07



1-1/2" NPT

**CONFIDENTIAL**  
 THIS PRINT AND THE SPECIFICATIONS ARE THE PROPERTY OF THOGUS PRODUCTS COMPANY AND HAVE BEEN LENT TO THE UNDERSIGNED THAT REVEAL TO THE USER FOR THE MANUFACTURE FOR OTHERS AND WILL BE RETURNED UPON REQUEST.

UNLESS OTHERWISE SPECIFIED DIMENSIONS ARE IN INCHES	
DECIMAL TOLERANCES	FRAC TOL
XX +/- .05	1/- .05
XXX +/- .015	1/- .015
DRAWN	DATE
NM	9/97
DESIGNED	
102412N	
MATERIAL	
NYLON	

Part Name	1-1/2" NPT X 3/4 BARB ADAPTER
Part Number	TA102412/N
THOGUS PRODUCTS	33490 PIN DAK PARKWAY AVON LAKE OHIO 44012
SCALE	1:1
SHEET	1 of 1

CONTROLLED DOCUMENT  
 ONLY IF IN RED