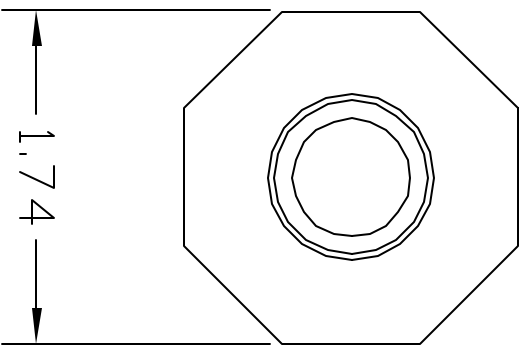
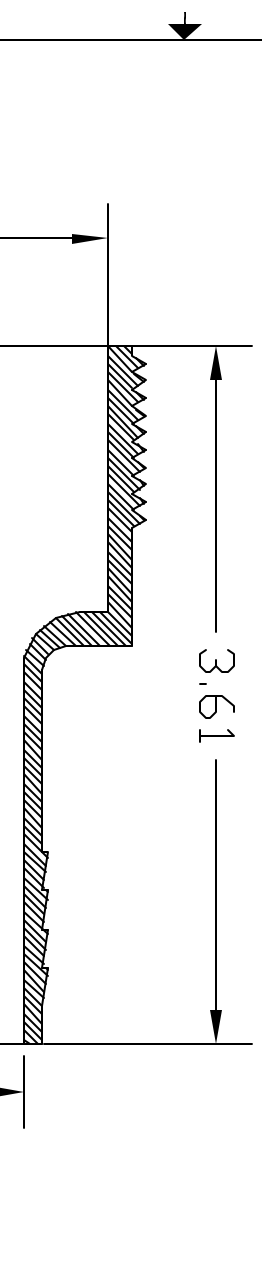
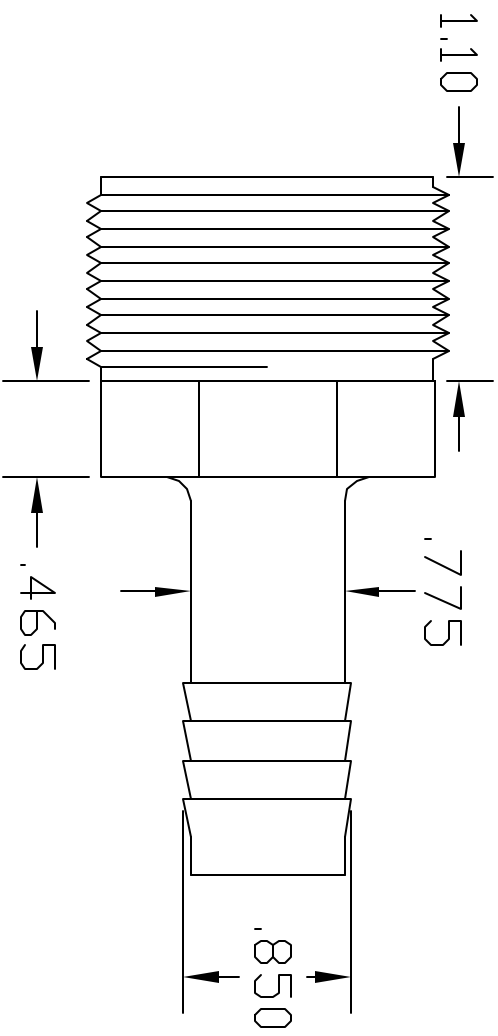


REVISIONS			
REV	DESCRIPTION	DATE	APPROVED
A	DRAWN	10/97	10/97



COLOR: BLACK (PPB)  
NATURAL (PPN)

1-1/2" NPT  
CONTROLLED DOCUMENT  
ONLY IF IN RED

CONFIDENTIAL  
THIS PRINT AND THE SPECIFICATIONS ARE THE PROPERTY OF THOGUS PRODUCTS COMPANY AND HAVE BEEN LENT WITH THE UNDERSTANDING THAT IT IS TO BE KEPT FOR THE MANUFACTURE OF THIS PART AND WILL BE RETURNED UPON REQUEST.

UNLESS OTHERWISE SPECIFIED DIMENSIONS ARE IN INCHES		TOLERANCES	
XX	+/- .05	XX	+/- .05
XXX	+/- .015		
DRAWN	NM	DATE	9/7/97
DESIGNED	102412PP		
MATERIAL	POLYPROPYLENE		
Part Name	1-1/2" NPT X 3/4 BARB ADAPTER		
Part Number	TA102412/PP		
SCALE	1:1		
SHEET	1	of	1
THOGUS PRODUCTS 33490 PIN DAK PARKWAY AVON LAKE OHIO 44012			