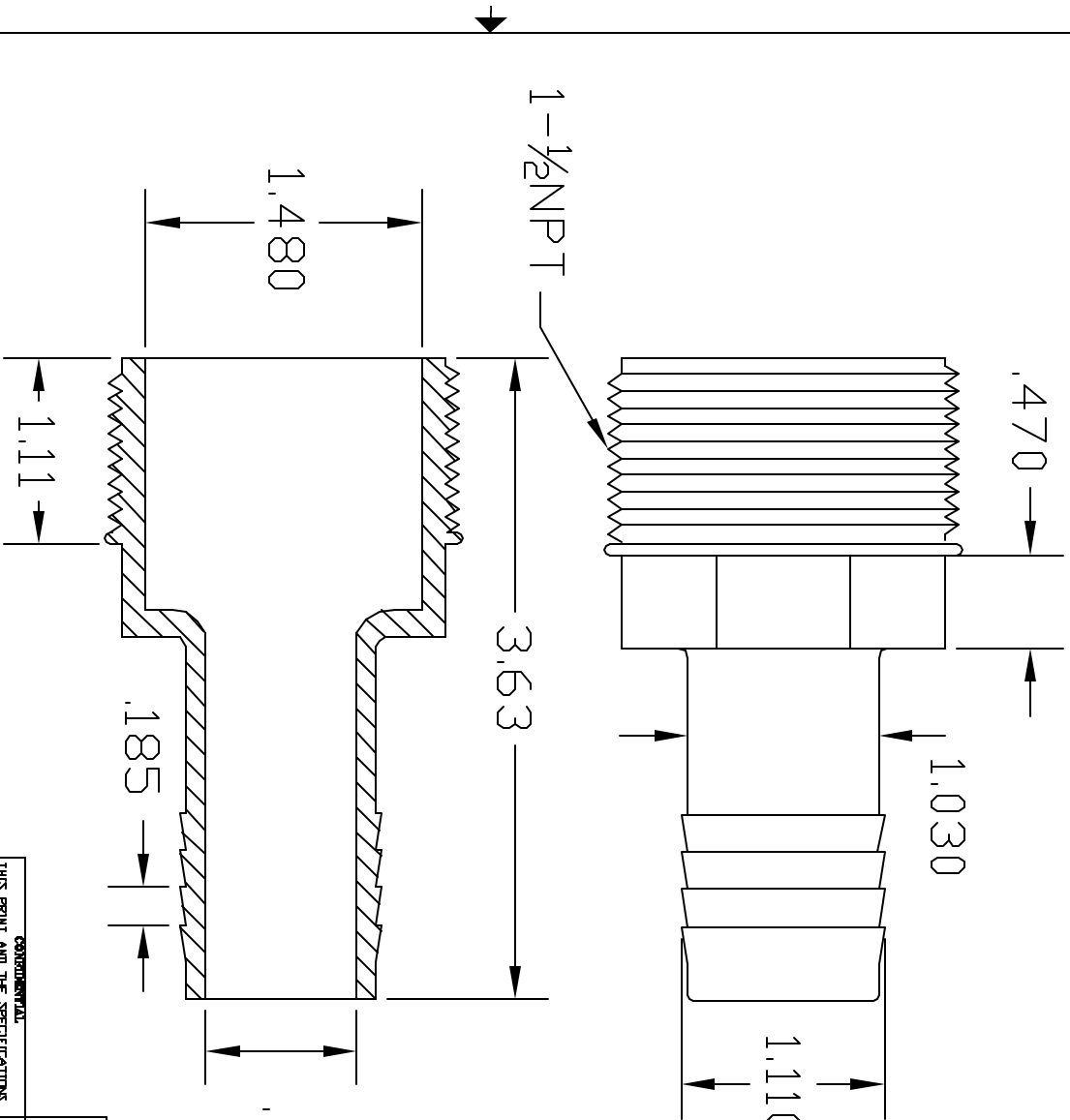


REVISIONS			
REV	DESCRIPTION	DATE	APPROVED
A	DRAWN	10/97	10/97
B	UPDATE DWG	8/07	8/07



CONTROLLED DOCUMENT
ONLY IF IN RED

CONFIDENTIAL
THIS PRINT AND THE SPECIFICATIONS ARE THE PROPERTY OF THOGUS PRODUCTS COMPANY AND HAVE BEEN ISSUED WITH THE UNDERSTANDING THAT REVEALING THE DESIGN OR THE MANUFACTURE FOR OTHERS AND WILL BE RETURNED UPON REQUEST.

UNLESS OTHERWISE SPECIFIED DIMENSIONS ARE IN INCHES		TOLERANCES UNLESS SHOWN OTHERWISE	
XX	+/- .05	YY	+/- .05
XXX	+/- .015		
DRAWN	BM	DATE	8/98
DESIGNED	102416N		
MATERIAL	NYLON		
Part Name:	1-1/2NPT X 1 BARB ADAPTER		
Part Number:	THOGUS 33490 PIN DAK PARKWAY PRODUCTS AYDON LAKE OHIO 44012 A102416/N		
SCALE		SHEET	1 of 1