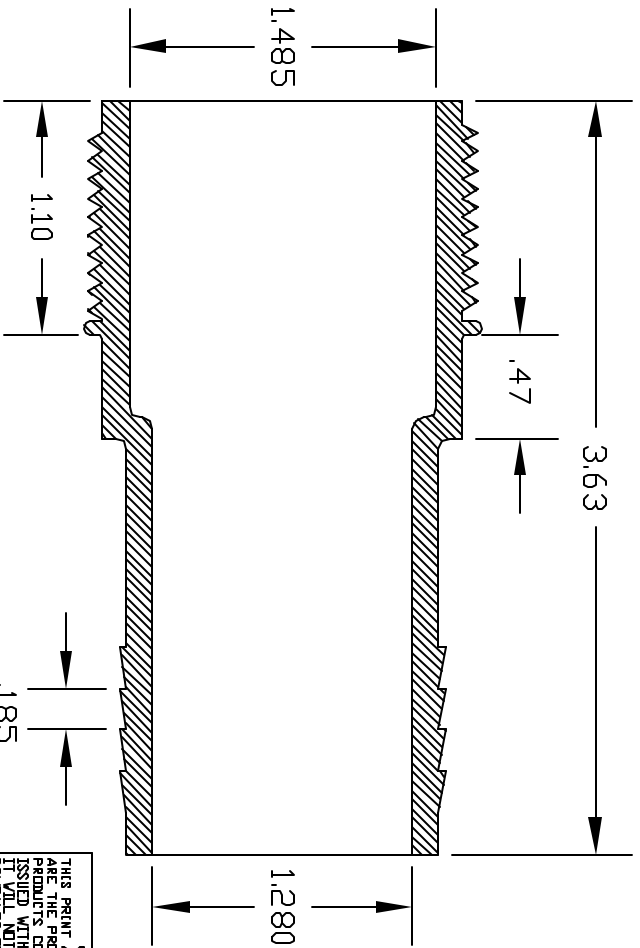
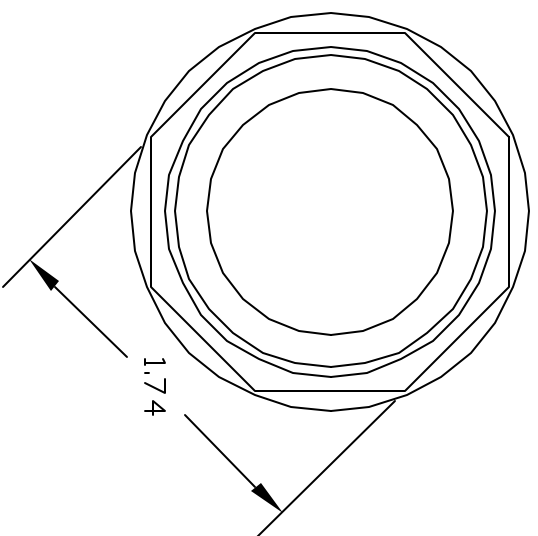
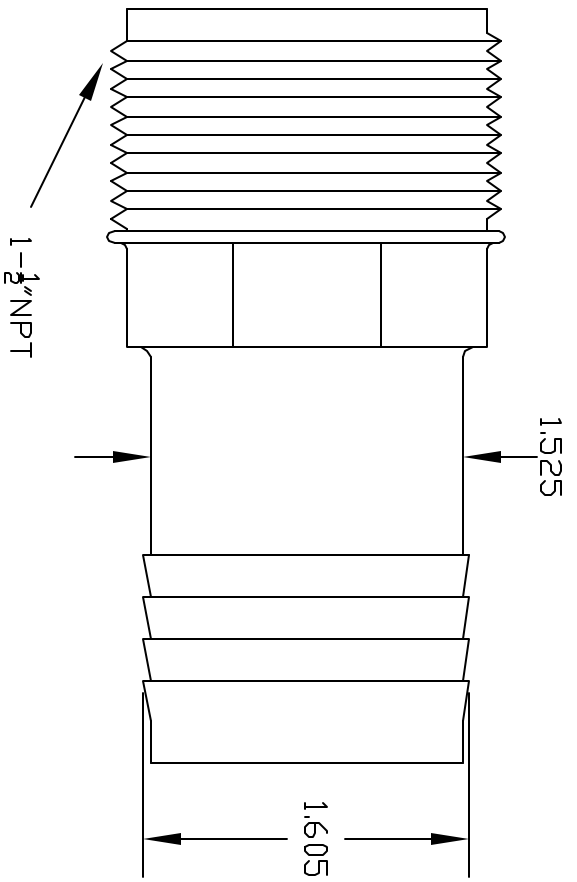


REV	DESCRIPTION	DATE	APPROVED
A	DRAWN	10/97	10/97
B	REDRAWN	02/16/00	BM
C	UPDATE DWG	8/07	8/07



QUANTITATIVE  
 THIS PRINT AND THE SPECIFICATIONS  
 HEREIN ARE THE PROPERTY OF  
 THOGUS PRODUCTS COMPANY AND HAVE BEEN  
 ISSUED WITH THE UNDERSTANDING THAT  
 IT WILL NOT BE REPRODUCED,  
 REVEALED TO OR USED FOR THE  
 MANUFACTURE FOR OTHERS AND WILL  
 BE RETURNED UPON REQUEST. Ⓢ

UNLESS OTHERWISE SPECIFIED DIMENSIONS ARE IN INCHES DECIMALS $\pm$ .005 ANGULAR $\pm$ .05		DRAWN BM		DATE 02/00	
MATERIAL NYLON		PART NUMBER TA102424/N		SCALE 1:1	
PART NAME 1-1/2" NPT X 1-1/2" ADAPTER		THOGUS PRODUCTS		33490 PIN OAK PARKWAY AVON LAKE OHIO 44012	
SHEET 1		of 1			

CONTROLLED DOCUMENT  
 ONLY IF IN RED