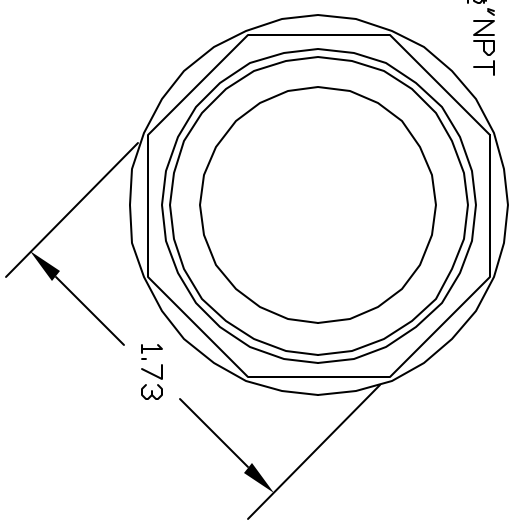
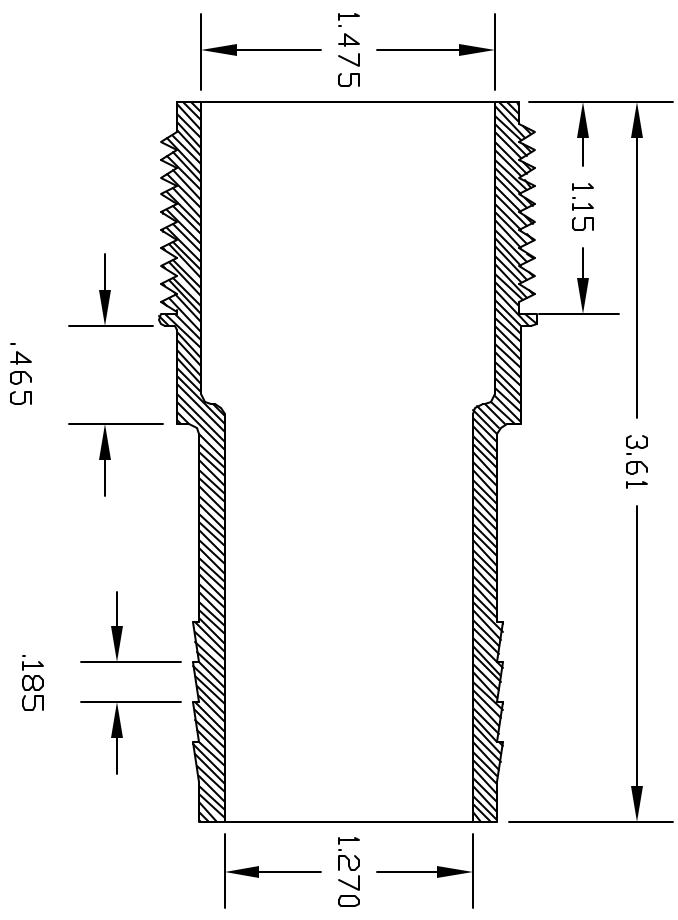
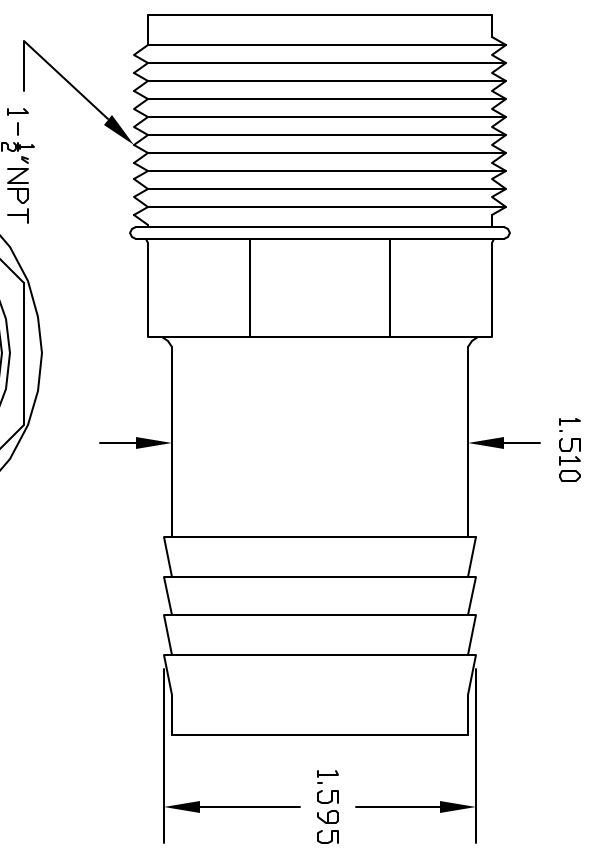


REV	DESCRIPTION	DATE	APPROVED
A	DRAWN	10/97	10/97
B	REDRAWN	02/16/00	BM



CONTROLLED DOCUMENT
ONLY IF IN RED

CONFIDENTIAL

THIS PRINT AND THE SPECIFICATIONS ARE THE PROPERTY OF THOGUS PRODUCTS COMPANY AND HAVE BEEN ISSUED WITH THE UNDERSTANDING THAT IT WILL NOT BE REPRODUCED, REVEALED TO OR USED FOR THE MANUFACTURE FOR OTHERS AND WILL BE RETURNED UPON REQUEST. ♦

UNLESS OTHERWISE SPECIFIED
DIMENSIONS ARE IN INCHES
TOLERANCES
DECIMALS .XX +/- .05
ANGULAR +/- .05

DRAWN **BM** DATE 02/00
Title: 102424PP
MATERIAL POLYPROPYLENE

COLOR: BLACK (PPB)
NATURAL (PPN)

PART NAME:
1-1/2" NPT X 1-1/2" ADAPTER

THOGUS PRODUCTS
33490 PIN OAK PARKWAY
AVDN LAKE OHIO 44012

PART NUMBER TA102424/PP

SCALE 1:1 SHEET 1 OF 1