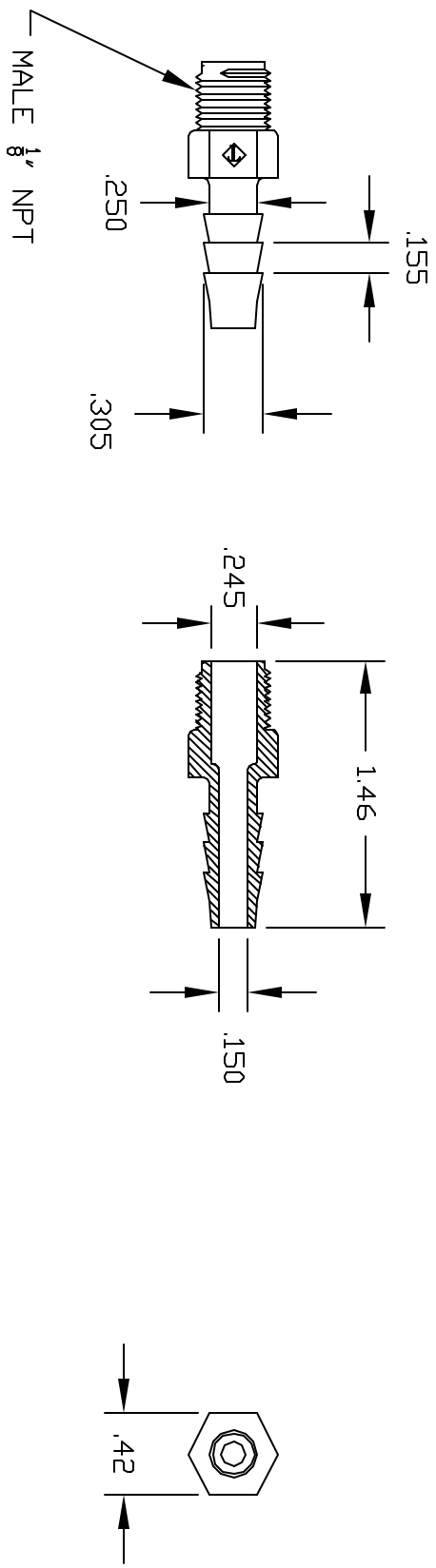


REV	DESCRIPTION	DATE	APPROVED
A	REDRAWN & RELEASED	6/98	6/98
B	MODIFIED BARB	12/22/99	BM



CONTROLLED DOCUMENT
ONLY IF IN RED

CONFIDENTIAL

THIS PRINT AND THE SPECIFICATIONS ARE THE PROPERTY OF THOGUS PRODUCTS COMPANY AND HAVE BEEN ISSUED WITH THE UNDERSTANDING THAT IT WILL NOT BE REPRODUCED, REVEALED TO OR USED FOR THE MANUFACTURE FOR OTHERS AND WILL BE RETURNED UPON REQUEST.

UNLESS OTHERWISE SPECIFIED
DIMENSIONS ARE IN INCHES
DECIMALS
TOLERANCES
XX +/- .05 ANGULAR
.XXX +/- .015

DRAWN
BM
DATE
12/99
PART NAME:
1/8"NPT X 1/4" ADAPTER
MATERIAL
POLYETHYLENE

PART NAME:
1/8"NPT X 1/4" ADAPTER
THOGUS 33490 PIN OAK PARKWAY
PRODUCTS AVON LAKE OHIO 44012

SCALE 1:1 SHEET 1 OF 1
PART NUMBER TA1024/P
REV B