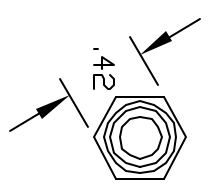
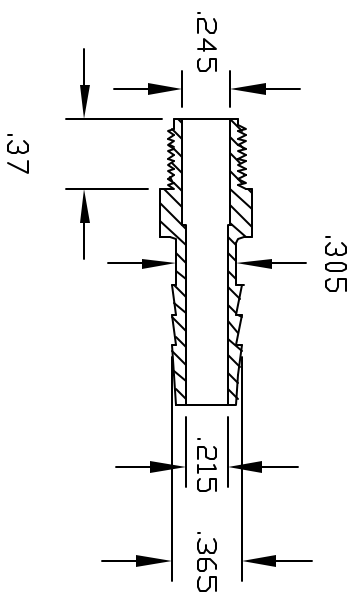
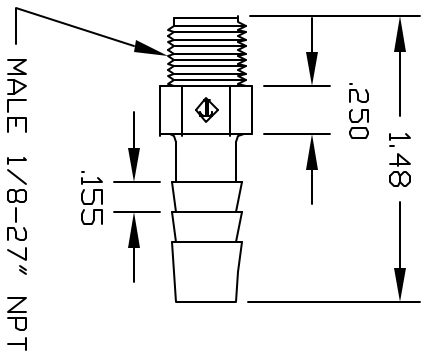


REV	DESCRIPTION	DATE	APPROVED
A	REDRAWN & RELEASED	8/97	8/97
B	UPDATE	02/24/00	BM
C	MODIFY BARB	06/02	06/02



CONTROLLED DOCUMENT  
ONLY IF IN RED

COLOR: BLACK (PPB)  
NATURAL (PPN)

**CONFIDENTIAL**  
THIS PRINT AND THE SPECIFICATIONS ARE THE PROPERTY OF THOGUS PRODUCTS COMPANY AND HAVE BEEN ISSUED WITH THE UNDERSTANDING THAT REVENUE AND THE RIGHTS OF THE MANUFACTURER FOR OTHERS AND WILL BE RETURNED UPON REQUEST.

UNLESS OTHERWISE SPECIFIED DIMENSIONS ARE IN INCHES		TOLERANCES	
DRAWN		FINISHES	
NM		XX +/- .05	
DATE		XX +/- .05	
8/97		V-D5	
MATERIAL		DRAWN	
POLYPROPYLENE		1025PP	
Part Name		DATE	
1/8 NPT X 5/16 BARBED ADAPTER		8/97	
Part Number		REV	
TA1025/PP		C	
SCALE 1:1		SHEET 1 of 1	
THOGUS PRODUCTS		33490 PIN DAK PARKWAY	
		AVON LAKE OHIO 44012	

SEE DRAWING FOR DIMENSIONS AND TOLERANCES