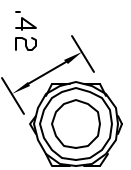
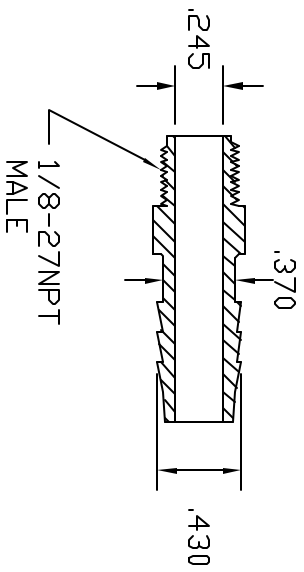
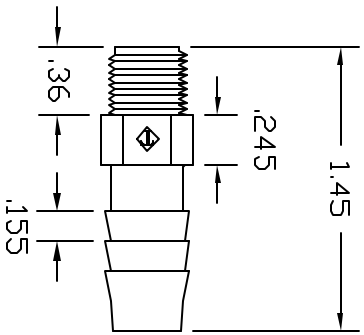


REVISIONS			
REV	DESCRIPTION	DATE	APPROVED
A	REDRAWN & RELEASED	6/98	6/98
B	MODIFIED BARBS	10/01	10/01



CONTROLLED DOCUMENT
ONLY IF IN RED

CONFIDENTIAL
THIS PRINT AND THE SPECIFICATIONS ARE THE PROPERTY OF THOGUS PRODUCTS COMPANY AND HAVE BEEN LENT TO YOU UNDERSTANDING THAT IT IS TO BE USED FOR THE MANUFACTURE FOR OTHERS AND WILL BE RETURNED UPON REQUEST.

UNLESS OTHERWISE SPECIFIED DIMENSIONS ARE IN INCHES		Part Name	
TOLERANCES		1/8 NPT X 3/8 BARBED ADAPTER	
XX +/- .05	YY .05	THOGUS PRODUCTS	
XXX +/- .015	ZZ .015	33490 PIN DAK PARKWAY	
DRAWN NM		AYDON LAKE OHIO 44012	
DATE 6/98		Part Number	
MATERIAL 1026P		TA1026/P	
POLYETHYLENE		SCALE 1:1	
REV B		SHEET 1 of 1	

THOGUS PRODUCTS COMPANY