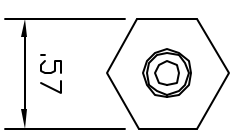
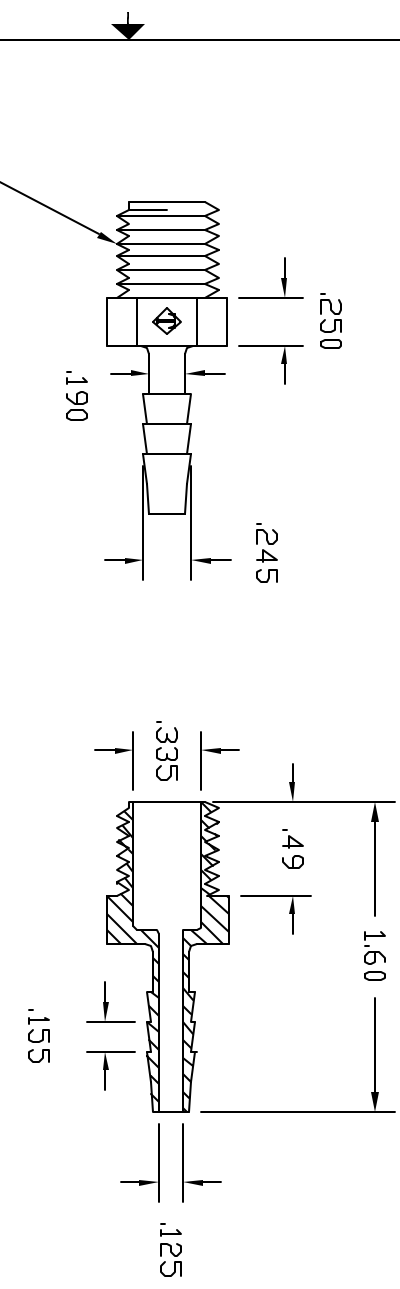


REVISIONS			
REV	DESCRIPTION	DATE	APPROVED
A	REDRAWN & RELEASED	8/97	8/97
B	MODIFY BARBS	01/02	01/02



COLOR: BLACK (PPB)

NATURAL (PPN)

UNLESS OTHERWISE SPECIFIED DIMENSIONS ARE IN INCHES		Part Number
DRAWN BM		1/4 NPT X 3/16 BARBED ADAPTER
MATERIAL POLYPROPYLENE		THOGUS PRODUCTS
POLYPROPYLENE		33490 PIN OAK PARKWAY AYDON LAKE OHIO 44012
SCALE 1/1		SHEET 1 of 1

CONTROLLED DOCUMENT  
ONLY IF IN RED

THIS PRINT AND THE SPECIFICATIONS ARE THE PROPERTY OF THOGUS PRODUCTS COMPANY AND HAVE BEEN ISSUED WITH THE UNDERSTANDING THAT IT IS TO BE USED FOR THE MANUFACTURE OF OTHERS AND WILL BE RETURNED UPON REQUEST.