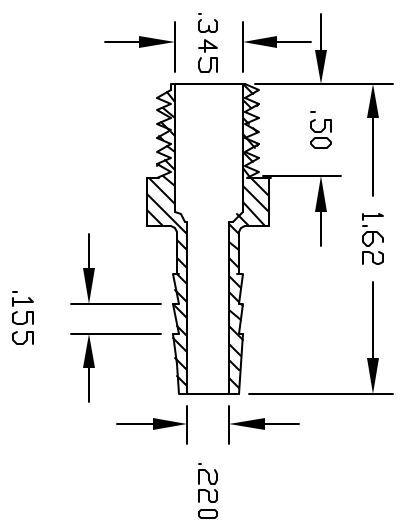
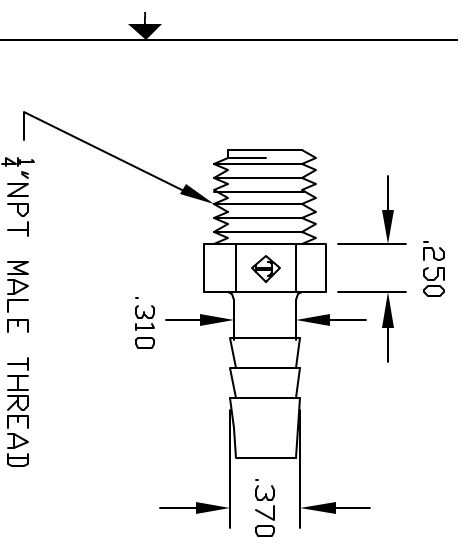


REVISIONS			
REV	DESCRIPTION	DATE	APPROVED
A	REDRAWN & RELEASED	8/97	8/97
B	UPDATE	02/21/00	BM
C	MODIFY BARBS	12/02	12/02
D	UPDATE DWG	8/07	8/07



CONTROLLED DOCUMENT
ONLY IF IN RED

CONDONENTIAL
THIS PRINT AND THE SPECIFICATIONS ARE THE PROPERTY OF THOGUS PRODUCTS COMPANY AND HAVE BEEN ISSUED WITH THE UNDERSTANDING THAT IT IS TO BE USED FOR THE MANUFACTURE OF THE PARTS AND WILL BE RETURNED UPON REQUEST.

UNLESS OTHERWISE SPECIFIED DIMENSIONS ARE IN INCHES		TOLERANCES	
XXX	+/- .05	XX	+/- .05
XXX	+/- .015	XX	+/- .015
DRAWN	NM	DATE	8/97
FIELDWORK	1045N		
MATERIAL	NYLON		
PART NAME: 1/4" NPT X 5/16" ADAPTER		THOGUS 33490 PIN DAK PARKWAY	
Part Number: TA1045/N		AYDN LAKE OHIO 44012	
SCALE	1	SHEET	1 of 1
REV	D		