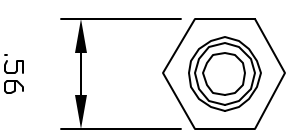
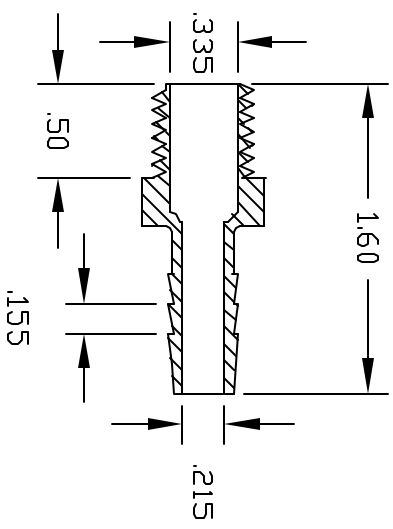
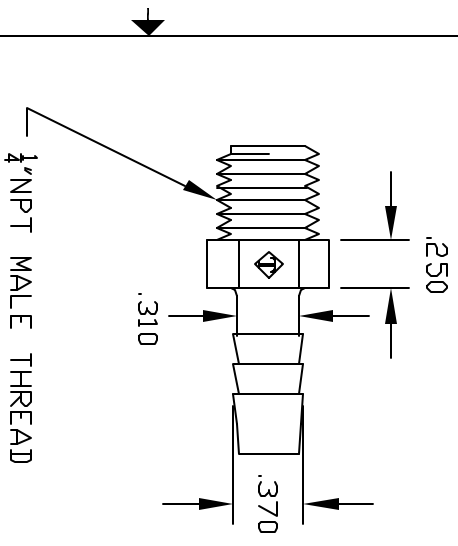


REVISIONS			
REV	DESCRIPTION	DATE	APPROVED
A	REDRAWN & RELEASED	8/97	8/97
B	UPDATE	02/21/00	BM
C	MODIFY BARBS	12/02	12/02



CONTROLLED DOCUMENT
ONLY IF IN RED

COLOR: BLACK (PPB)
NATURAL (PPN)

CONFIDENTIAL
THIS PRINT AND THE SPECIFICATIONS ARE THE PROPERTY OF THOGUS PRODUCTS COMPANY AND HAVE BEEN ISSUED WITH THE UNDERSTANDING THAT IT IS NOT TO BE REPRODUCED OR TRANSMITTED IN ANY FORM OR BY ANY MEANS, ELECTRONIC OR MECHANICAL, INCLUDING PHOTOCOPYING, RECORDING, OR BY ANY INFORMATION STORAGE AND RETRIEVAL SYSTEM. PERMISSION TO REPRODUCE THIS DRAWING FOR OTHERS AND WILL BE RETURNED UPON REQUEST.

UNLESS OTHERWISE SPECIFIED DIMENSIONS ARE IN INCHES		PART NAME: 1/4" NPT X 5/16" ADAPTER	
DECIMALS	FRACTIONS	SCALE	1:1
XX +/- .05	XX +/- .05	SHEET	1 of 1
XXX +/- .05	XXX +/- .05	QTY	1
DRAWN	NM	DATE	8/97
DESIGNED			
MATERIAL	1045PP		
PLI (PPROPYLENE)			
THOGUS PRODUCTS		33490 PIN DAK PARKWAY AVON LAKE OHIO 44012	
PART NUMBER		TA1045/PP	

NOT BEING REPRODUCED BY ANY MEANS WITHOUT THE WRITTEN PERMISSION OF THOGUS PRODUCTS COMPANY