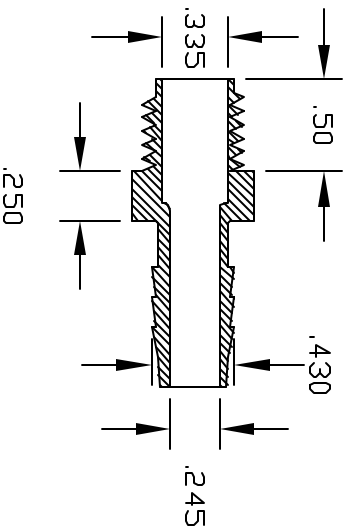
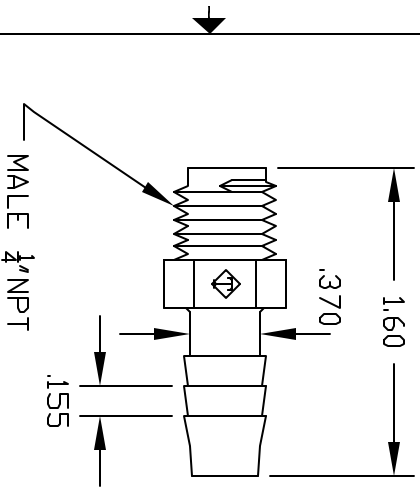


REV	DESCRIPTION	DATE	APPROVED
A	REDRAWN & RELEASED	7/97	7/97
B	MODIFY BARBS	10/00	10/00

REVISIONS



COLOR: BLACK (PPB)
NATURAL (PPN)

CONTROLLED DOCUMENT
ONLY IF IN RED

CONFIDENTIAL
THIS PRINT AND THE SPECIFICATIONS ARE THE PROPERTY OF THOGUS PRODUCTS COMPANY AND HAVE BEEN ISSUED WITH THE UNDERSTANDING THAT REPRODUCTION OR USE FOR THE MANUFACTURE FOR OTHERS AND WILL BE RETURNED UPON REQUEST.

UNLESS OTHERWISE SPECIFIED DIMENSIONS ARE IN INCHES	DRAWN	DATE
1/16" TOLERANCES UNLESS INDICATED	NM	7/97
XX +/- .05		
XXX +/- .015		
FINISHES	MATERIAL	
1046PP	POLYPROPYLENE	

Part Name:	1/4NPT X 3/8 BARB ADAPTER
Part Number:	TA1046/PP
Scale:	1:1
Sheet:	1 of 1
Quantity:	1
THOGUS PRODUCTS	33490 PIN DAK PARKWAY AYDON LAKE OHIO 44012

100% INSPECTION BY CUSTOMER REQUIRED