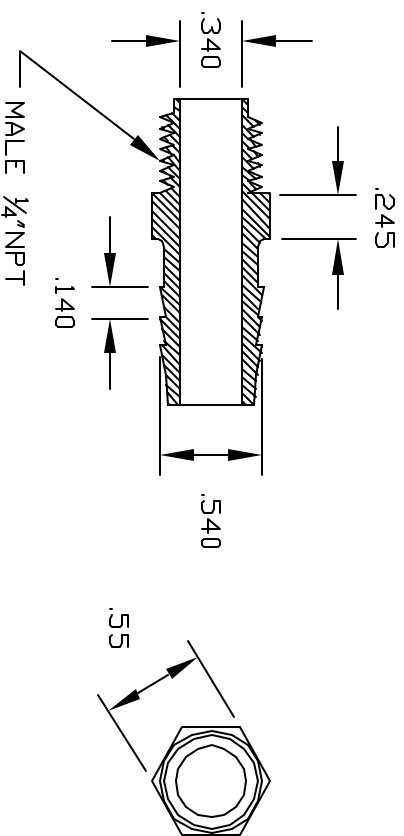
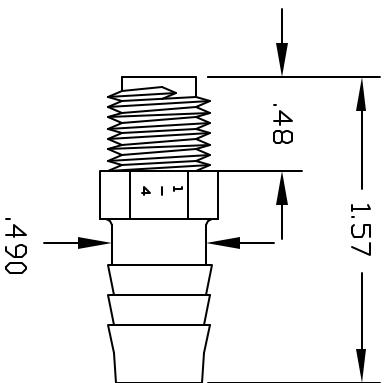


REV	DESCRIPTION	DATE	APPROVED
A	REDRAWN AND RELEASED	4/97	4/97
B	REVISED BARBS	12/27/99	BM



CONTROLLED DOCUMENT
ONLY IF IN RED

CONFIDENTIAL

THIS PRINT AND THE SPECIFICATIONS ARE THE PROPERTY OF THOGUS PRODUCTS COMPANY AND HAVE BEEN ISSUED WITH THE UNDERSTANDING THAT IT WILL NOT BE REPRODUCED, REVEALED TO OR USED FOR THE MANUFACTURE FOR OTHERS AND WILL BE RETURNED UPON REQUEST.

UNLESS OTHERWISE SPECIFIED DIMENSIONS ARE IN INCHES
TOLERANCES
DECIMALS .XX +/--.05
ANGULAR .XXX +/--.015

DRAWN BM DATE 12/99

filename: 1048P
MATERIAL POLYETHYLENE

PART NAME: 1/4" NPT X 1/2" ADAPTER
THOGUS PRODUCTS
33490 PIN OAK PARKWAY
AVON LAKE OHIO 44012

PART NUMBER TA1048/P
SCALE 1:1
SHEET 1 OF 1
REV B