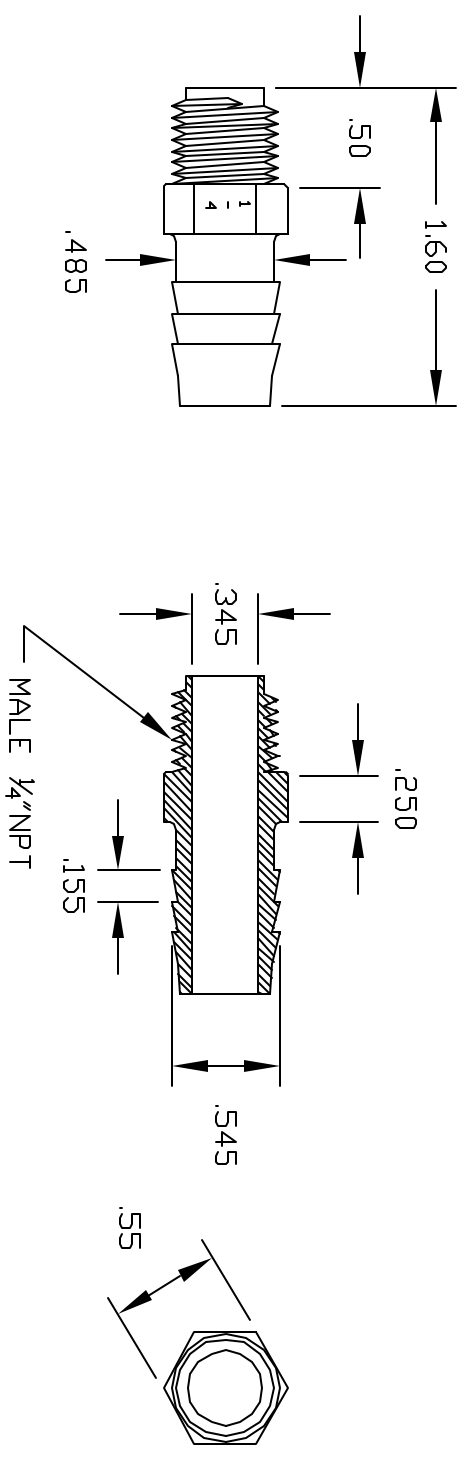


| REV | DESCRIPTION | DATE | APPROVED |
|-----|----------------------|----------|----------|
| A | REDRAWN AND RELEASED | 4/97 | 4/97 |
| B | REVISED BARBS | 12/27/99 | BM |



COLOR: BLACK (PPB)
 NATURAL (PPN)

CONTROLLED DOCUMENT
 ONLY IF IN RED

| | | | |
|---|---------------------|--|-----------|
| UNLESS OTHERWISE SPECIFIED DIMENSIONS ARE IN INCHES DECIMALS TOLERANCES XX +/- .05 ANGULAR .XXX +/- .015 | | PART NAME: 1/4" NPT X 1/2" ADAPTER | |
| DRAWN BM DATE 12/99 | FILENAME: 1048PP | PART NUMBER TA1048/PP | SCALE 1:1 |
| MATERIAL POLYPROPYLENE | | THOGUS PRODUCTS 33490 PIN OAK PARKWAY AVON LAKE OHIO 44012 | |
| CONFIDENTIAL THIS PRINT AND THE SPECIFICATIONS ARE THE PROPERTY OF THOGUS PRODUCTS COMPANY AND HAVE BEEN ISSUED WITH THE UNDERSTANDING THAT IT WILL NOT BE REPRODUCED, REVEALED TO OR USED FOR THE MANUFACTURE FOR OTHERS AND WILL BE RETURNED UPON REQUEST. | | SHEET 1 OF 1 | |