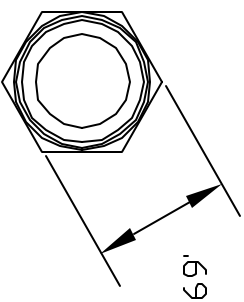
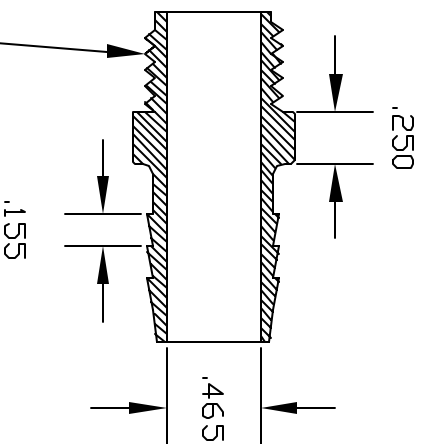
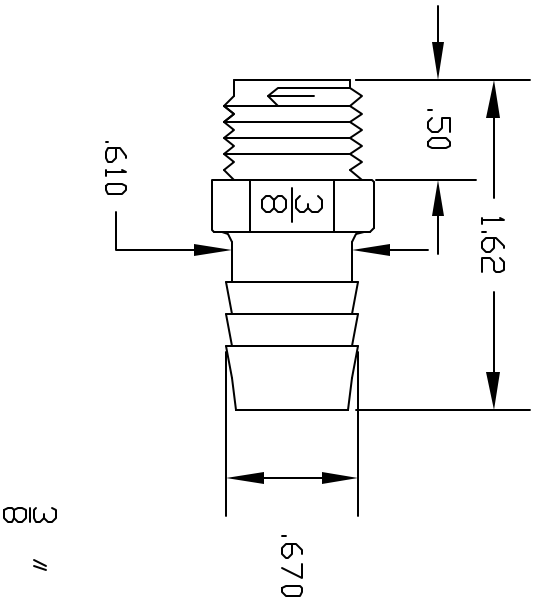


| REV | DESCRIPTION           | DATE     | APPROVED |
|-----|-----------------------|----------|----------|
| A   | DRAWN AND RELEASED    | 6/98     |          |
| B   | MODIFY BARB & REDRAWN | 12/23/99 | BM       |
| C   | UPDATE DWG            | 8/07     | 8/07     |



CONTROLLED DOCUMENT  
ONLY IF IN RED

**CONFIDENTIAL**  
THIS PRINT AND THE SPECIFICATIONS ARE THE PROPERTY OF THOGUS PRODUCTS COMPANY AND HAVE BEEN ISSUED WITH THE UNDERSTANDING THAT IT WILL NOT BE REPRODUCED, REVEALED TO OR USED FOR THE MANUFACTURE FOR OTHERS AND WILL BE RETURNED UPON REQUEST.

| UNLESS OTHERWISE SPECIFIED DIMENSIONS ARE IN INCHES |             | PART NAME:            |        |
|---|-------------|-----------------------|--------|
| DRAWN   | BM          | DATE                  | 12/99  |
| FILENAME:   | 10610N      |                       |        |
| MATERIAL:   | NYLON       |                       |        |
| TOLERANCES  |             | PART NUMBER           |        |
| DIGITALS  | .XX +/- .05 | TA10610/N             |        |
| ANGULAR   | +/- .05     | 33490 PIN DAK PARKWAY |        |
|   |             | AVON LAKE OHIO 44012  |        |
|   |             | THOGUS PRODUCTS       |        |
|   |             | SCALE                 |        |
|   |             | SHEET                 | 1 OF 1 |
|   |             | REV                   | C      |