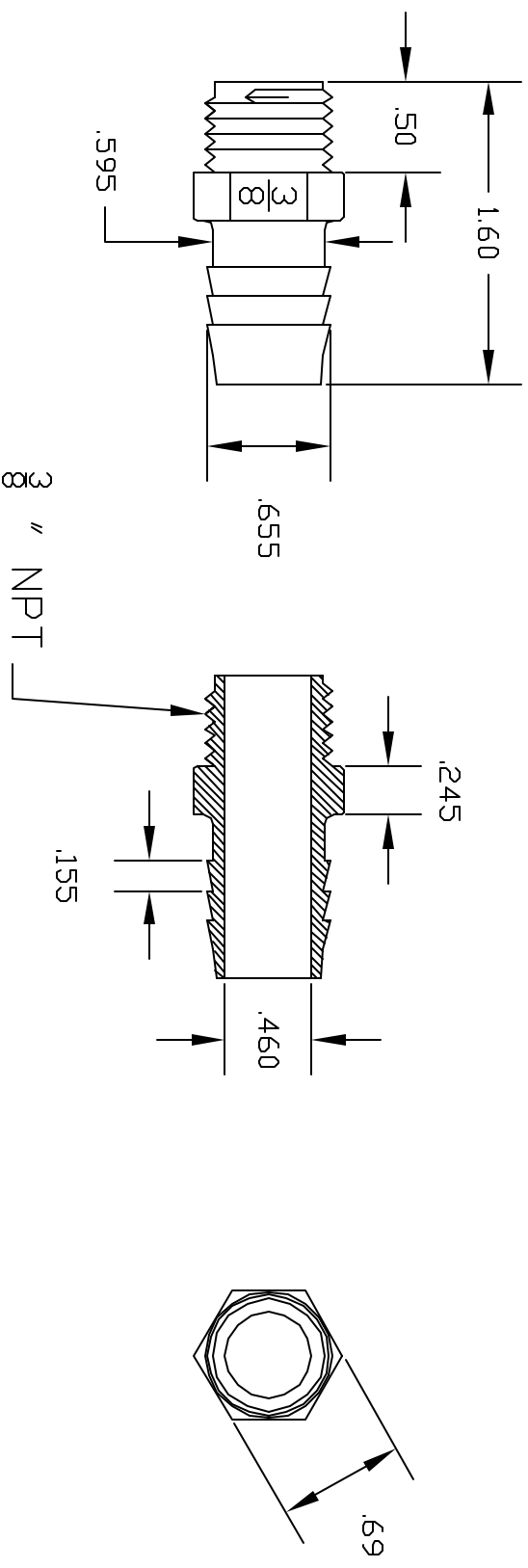


REV	DESCRIPTION	DATE	APPROVED
A	DRAWN AND RELEASED	6/98	
B	MODIFIED BARB AND REDRAWN	12/23/99	BM



COLOR: BLACK (PPB)  
 NATURAL (PPN)

CONTROLLED DOCUMENT  
 ONLY IF IN RED

**CONFIDENTIAL**  
 THIS PRINT AND THE SPECIFICATIONS ARE THE PROPERTY OF THOGUS PRODUCTS COMPANY AND HAVE BEEN ISSUED WITH THE UNDERSTANDING THAT IT WILL NOT BE REPRODUCED, REVEALED TO OR USED FOR THE MANUFACTURE FOR OTHERS AND WILL BE RETURNED UPON REQUEST. ⚡

UNLESS OTHERWISE SPECIFIED DIMENSIONS ARE IN INCHES	
DECIMALS	TOLERANCES
XX +/- .05	ANGULAR
.XXX +/- .015	+/- .05
DRAWN	DATE
BM	12/99
FILENAME:	
10610PP	
MATERIAL:	
POLYPROPYLENE	

PART NAME:	3/8 NPT X 5/8 ADAPTER
THOGUS PRODUCTS	33490 PIN OAK PARKWAY AVON LAKE OHIO 44012
PART NUMBER	TA10610/PP
SCALE	1:1
SHEET	1 OF 1