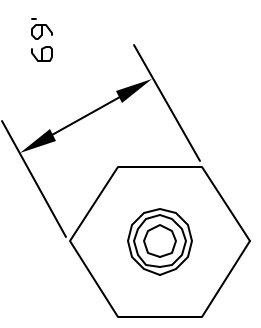
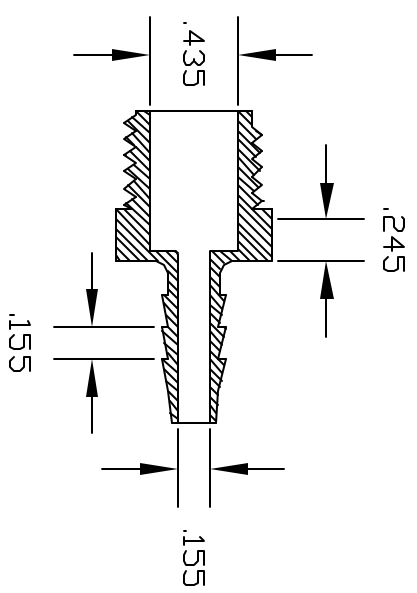
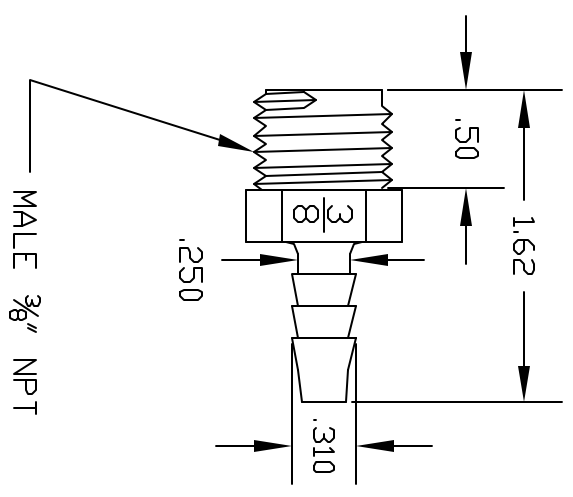


REV	DESCRIPTION	DATE	APPROVED
A	DRAWN & RELEASED	6/98	
B	MODIFIED BARB	12/27/99	BM
C	UPDATE DWG	8/07	8/07



CONTROLLED DOCUMENT
ONLY IF IN RED

CONFIDENTIAL
THIS PRINT AND THE SPECIFICATIONS ARE THE PROPERTY OF THOGUS PRODUCTS COMPANY AND HAVE BEEN ISSUED WITH THE UNDERSTANDING THAT IT WILL NOT BE REPRODUCED, REVEALED TO OR USED FOR THE MANUFACTURE FOR OTHERS AND WILL BE RETURNED UPON REQUEST.

UNLESS OTHERWISE SPECIFIED	
DIMENSIONS ARE IN INCHES	
TOLERANCES	
DECIMALS	.XX +/- .05
ANGULAR	+/- .05
XXX	+/- .015

PART NAME	
3/8" NPT X 1/4" ADAPTER	
THOGUS PRODUCTS	
33490 PIN OAK PARKWAY	
AVON LAKE OHIO 44012	
DRAWN	BM
DATE	12/99
MATERIAL	NYLON
PART NUMBER	TA1064/N
SCALE	
SHEET	1 OF 1
REV	C