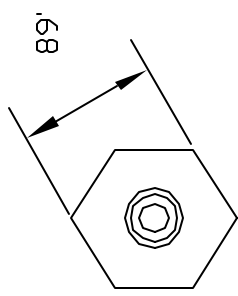
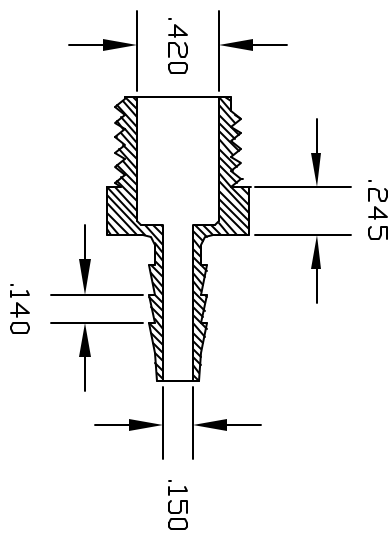
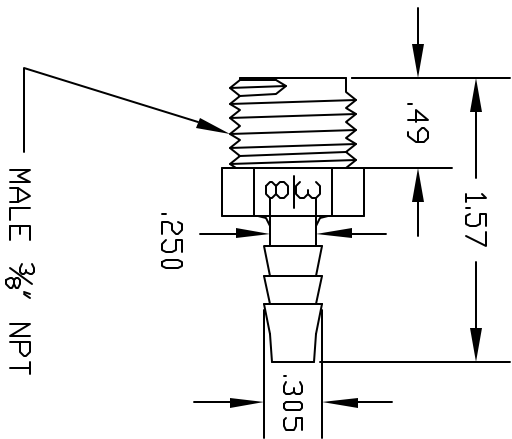


REV	DESCRIPTION	DATE	APPROVED
A	DRAWN & RELEASED	6/98	
B	MODIFIED BARB	12/27/99	BM



UNLESS OTHERWISE SPECIFIED  
DIMENSIONS ARE IN INCHES  
TOLERANCES  
DECIMALS +/--.05  
ANGULAR .XXX +/--.015

DRAWN BM DATE 12/99

filename: 1064P  
MATERIAL POLYETHYLENE

PART NAME: 3/8" NPT X 1/4" ADAPTER

**THOGGUS PRODUCTS**  
33490 PIN OAK PARKWAY  
AVON LAKE OHIO 44012

PART NUMBER TA1064/P  
SCALE 1:1  
SHEET 1 OF 1  
REV B

**CONFIDENTIAL**  
THIS PRINT AND THE SPECIFICATIONS ARE THE PROPERTY OF THOGGUS PRODUCTS COMPANY AND HAVE BEEN ISSUED WITH THE UNDERSTANDING THAT IT WILL NOT BE REPRODUCED, REVEALED TO OR USED FOR THE MANUFACTURE FOR OTHERS AND WILL BE RETURNED UPON REQUEST.