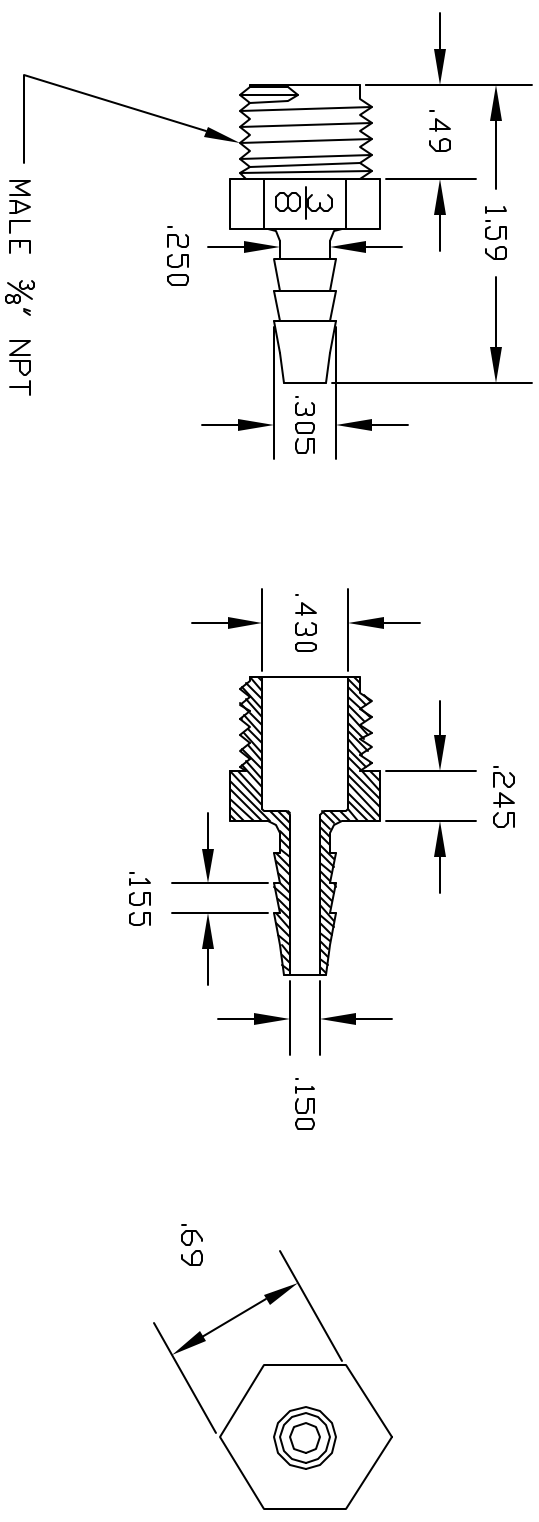


REV	DESCRIPTION	DATE	APPROVED
A	DRAWN & RELEASED	6/98	
B	MODIFIED BARB	12/27/99	BM



COLOR: BLACK (PPB)  
 NATURAL (PPN)

CONTROLLED DOCUMENT  
 ONLY IF IN RED

**CONFIDENTIAL**  
 THIS PRINT AND THE SPECIFICATIONS ARE THE PROPERTY OF THOGUS PRODUCTS COMPANY AND HAVE BEEN ISSUED WITH THE UNDERSTANDING THAT IT WILL NOT BE REPRODUCED, REVEALED TO OR USED FOR THE MANUFACTURE FOR OTHERS AND WILL BE RETURNED UPON REQUEST. ♦

UNLESS OTHERWISE SPECIFIED DIMENSIONS ARE IN INCHES	
DECIMALS	TOLERANCES
XX +/- .05	ANGULAR
.XXX +/- .015	
DRAWN	DATE
BM	12/99
FILENAME:	
1064PP	
MATERIAL	
POLYPROPYLENE	

PART NAME:	
3/8" NPT X 1/4" ADAPTER	
THOGUS PRODUCTS	
33490 PIN OAK PARKWAY	
AVON LAKE OHIO 44012	
PART NUMBER	TA1064/PP
SCALE	1:1
SHEET	1 OF 1