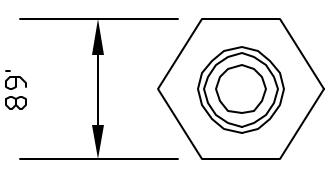
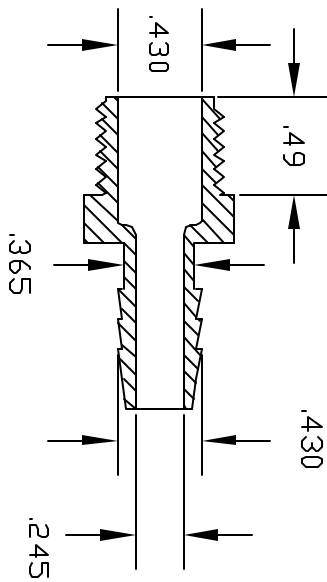
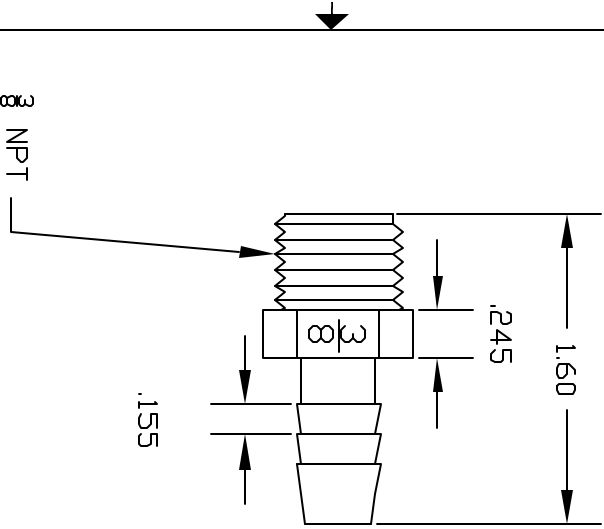


REVISIONS			
REV	DESCRIPTION	DATE	APPROVED
A	DRAWN AND RELEASED	8/97	
B	UPDATE DRAWING	12/00	
C	REDRAW BARB	09/01	



COLOR: BLACK (PPB)  
 NATURAL (PPN)

CONTROLLED DOCUMENT  
 ONLY IF IN RED

UNLESS OTHERWISE SPECIFIED DIMENSIONS ARE IN INCHES TOLERANCES ARE: DECIMALS .005 FRACTIONS .005 ANGLES .01		Part Number	3/8 NPT X 3/8 BARBED ADAPTER
DRAWN	NM	DATE	8/97
DESIGNED	1066PP	Part Number	TA1066/PP
MATERIAL	POLYPROPYLENE	SCALE	1:1
THOGUS PRODUCTS		33490 PIN DAK PARKWAY AVON LAKE OHIO 44012	
SHEET 1 of 1		1	