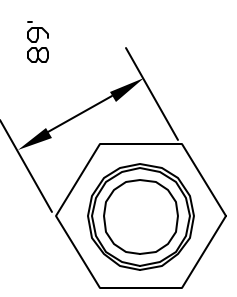
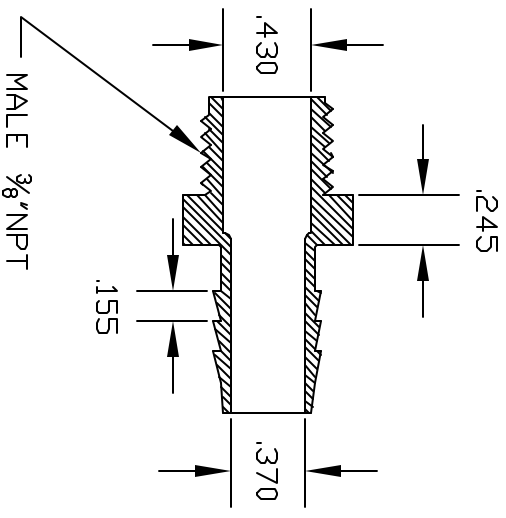
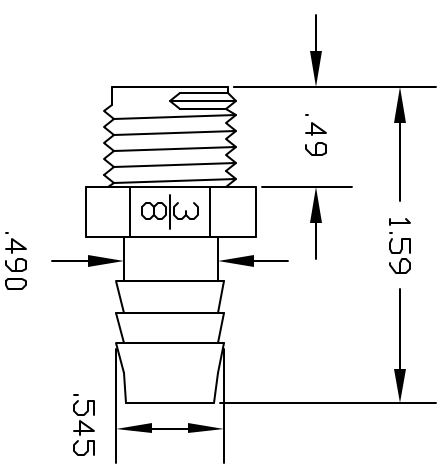


REV	DESCRIPTION	DATE	APPROVED
A	DRAWN & RELEASED	9/97	
B	MODIFIED BARBS	12/27/99	BM



CONTROLLED DOCUMENT
ONLY IF IN RED

UNLESS OTHERWISE SPECIFIED
DIMENSIONS ARE IN INCHES
TOLERANCES
DECIMALS .XX +/- .05
ANGULAR .XXX +/- .015

DRAWN **BM** DATE 12/99

Material **POLYPROPYLENE**

PART NAME: **3/8" NPT X 1/2" ADAPTER**

THOGUS PRODUCTS
33490 PIN OAK PARKWAY
AVON LAKE OHIO 44012

PART NUMBER **TA1068/PP**

SCALE 1:1 SHEET 1 OF 1

CONFIDENTIAL
THIS PRINT AND THE SPECIFICATIONS ARE THE PROPERTY OF THOGUS PRODUCTS COMPANY AND HAVE BEEN ISSUED WITH THE UNDERSTANDING THAT IT WILL NOT BE REPRODUCED, REVEALED TO OR USED FOR THE MANUFACTURE FOR OTHERS AND WILL BE RETURNED UPON REQUEST.

COLOR: BLACK (PPB)

NATURAL (PPN)