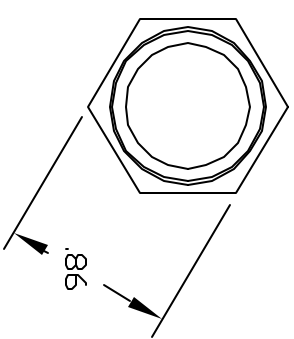
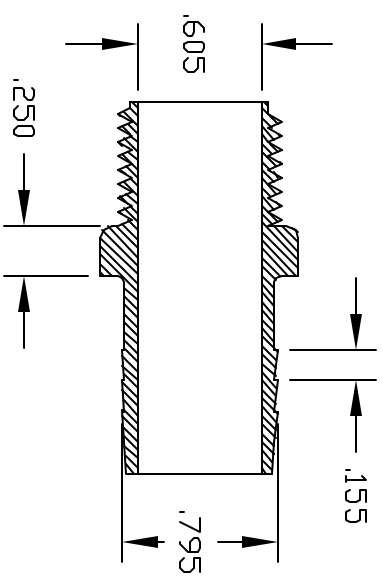
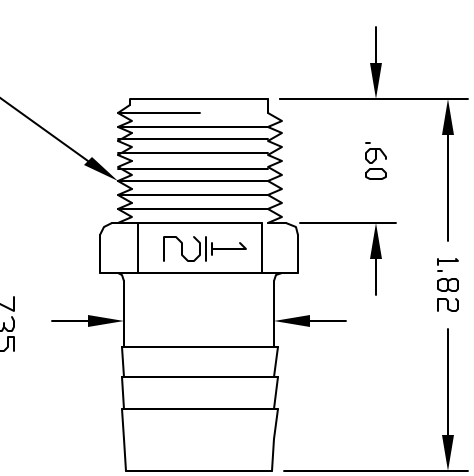


REV	DESCRIPTION	DATE	APPROVED
A	REDRAWN & RELEASED	2/97	2/97
B	MODIFIED BARBS	3/99	3/99



CONTROLLED DOCUMENT  
ONLY IF IN RED

**CONFIDENTIAL**

THIS PRINT AND THE SPECIFICATIONS ARE THE PROPERTY OF THOGUS PRODUCTS COMPANY AND HAVE BEEN ISSUED WITH THE UNDERSTANDING THAT IT WILL NOT BE REPRODUCED, REVEALED TO OR USED FOR THE MANUFACTURE FOR OTHERS AND WILL BE RETURNED UPON REQUEST. ♦

UNLESS OTHERWISE SPECIFIED  
DIMENSIONS ARE IN INCHES  
TOLERANCES  
DECIMALS  
.XX +/- .05  
XXX +/- .015  
ANGULAR  
+/- .05

DRAWN	BM	DATE	3/99
Filename:	10812P		
MATERIAL	POLYETHYLENE		

PART NAME:  
**1/2" NPT X 3/4 ADAPTER**

**THOGUS PRODUCTS**  
33490 PIN OAK PARKWAY  
AVON LAKE OHIO 44012

PART NUMBER: **TA10812/P**

SCALE: 1:1

SHEET 1 OF 1

REV **B**