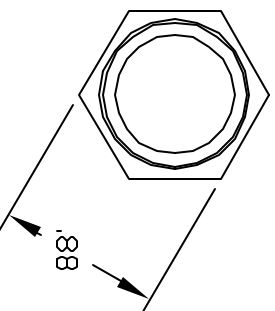
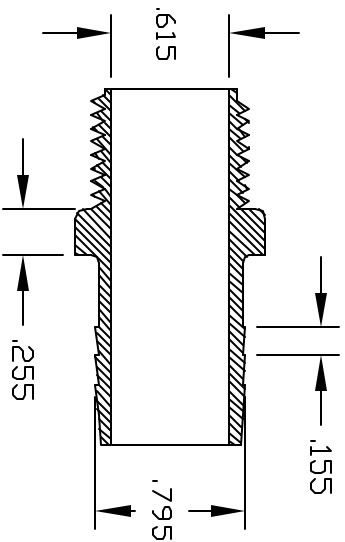
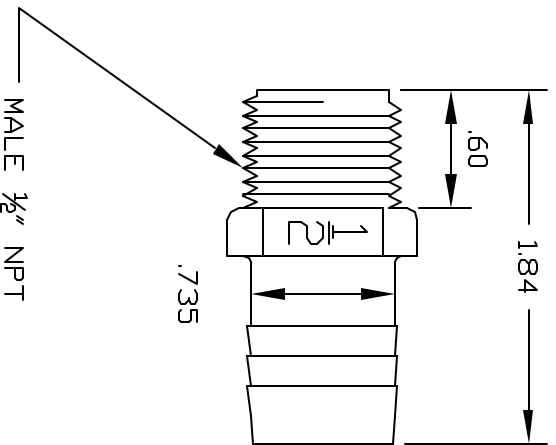


REV	DESCRIPTION	DATE	APPROVED
A	REDRAWN & RELEASED	2/97	2/97
B	MODIFIED BARBS	3/99	3/99



MALE 1/2" NPT

COLOR: BLACK (PPB)

NATURAL (PPN)

CONTROLLED DOCUMENT
ONLY IF IN RED

CONFIDENTIAL

THIS PRINT AND THE SPECIFICATIONS ARE THE PROPERTY OF THOGUS PRODUCTS COMPANY AND HAVE BEEN ISSUED WITH THE UNDERSTANDING THAT IT WILL NOT BE REPRODUCED, REVEALED TO OR USED FOR THE MANUFACTURE FOR OTHERS AND WILL BE RETURNED UPON REQUEST.

UNLESS OTHERWISE SPECIFIED
DIMENSIONS ARE IN INCHES
DECIMALS
XX +/-0.05
.XXX +/-0.015
TOLERANCES
ANGULAR
+/-0.5

DRAWN
BM
DATE
3/99

filename: 10812PP
MATERIAL
POLYPROPYLENE

PART NAME:

1/2" NPT X 3/4 ADAPTER

THOGUS PRODUCTS

33490 PIN OAK PARKWAY
AVON LAKE OHIO 44012

PART NUMBER
TA10812/PP

SCALE 1:1

SHEET 1 OF 1