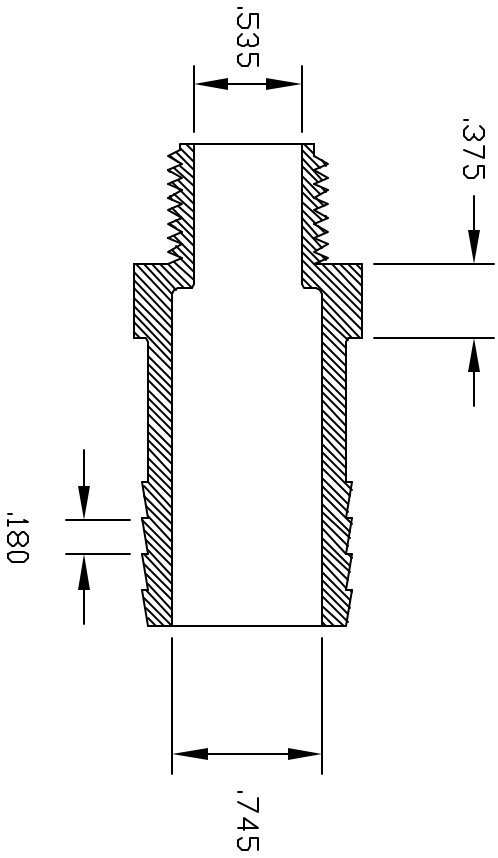
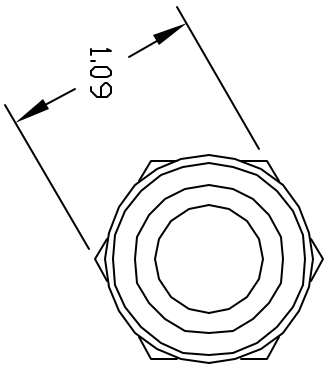
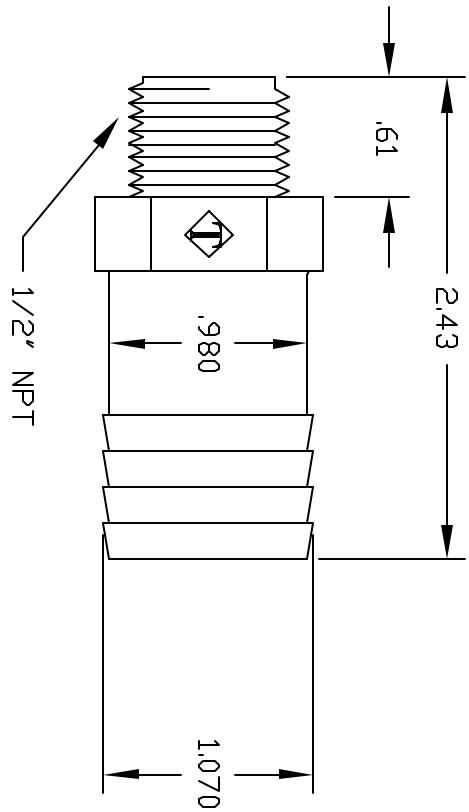


REVISIONS				
ZINC	REV	DESCRIPTION	DATE	APPROVED
	A	REDRAWN & RELEASED	5/98	5/98



CONTROLLED DOCUMENT  
ONLY IF IN RED

CONFIDENTIAL  
THIS PRINT AND THE SPECIFICATIONS ARE THE PROPERTY OF THOGUS PRODUCTS COMPANY AND HAVE BEEN LENT WITH THE UNDERSTANDING THAT IT IS TO BE KEPT FOR THE MANUFACTURE OF THE PARTS AND WILL BE RETURNED UPON REQUEST.

UNLESS OTHERWISE SPECIFIED DIMENSIONS ARE IN INCHES		TOLERANCES	
XX	+/- .05	YY	+/- .05
XXX	+/- .015		
DRAWN	NM	DATE	5/98
DESIGNED	10816P		
MATERIAL	NYLON		
Part Name	1/2NPT X 1 BARB ADAPTER	Part Number	TA10816/P
THOGUS PRODUCTS	33490 PIN DAK PARKWAY AYDON LAKE OHIO 44012	SCALE	1:1
		SHEET	1 of 1
		REV	A

ALL DIMENSIONS ARE TO CENTER UNLESS OTHERWISE SPECIFIED