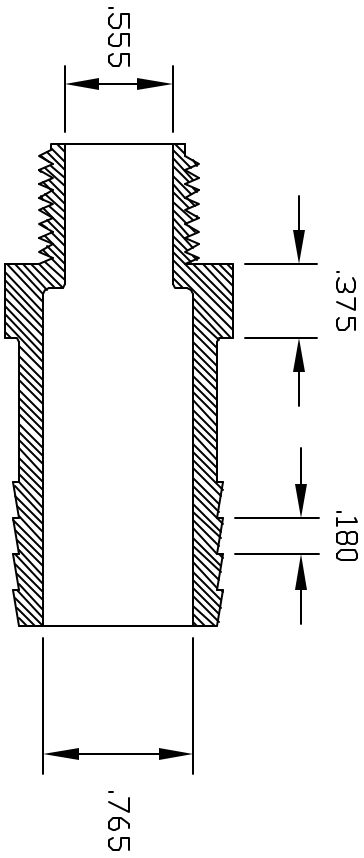
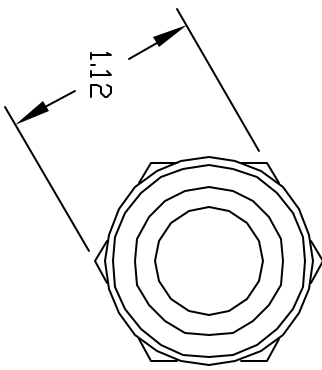
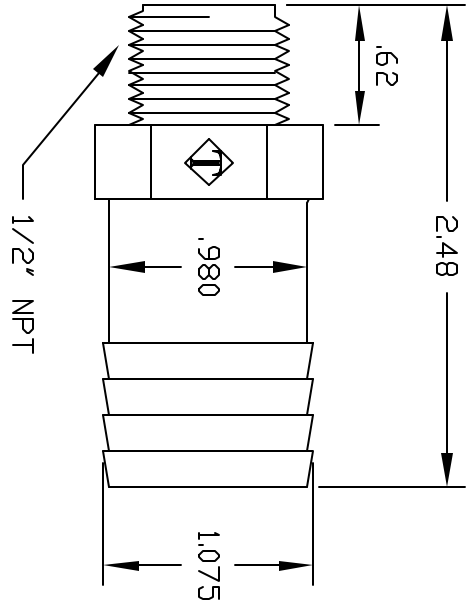


REVISIONS				
ZINC	REV	DESCRIPTION	DATE	APPROVED
	A	REDRAWN & RELEASED	5/98	5/98



COLOR: BLACK (PPB)
NATURAL (PPN)

UNLESS OTHERWISE SPECIFIED DIMENSIONS ARE IN INCHES DECIMAL TOLERANCES UNLESS SPECIFIED ARE: XX +/- .05 XXX +/- .015		Part Name: 1/2NPT X 1 BARB ADAPTER
DRAWN NM	DATE 5/98	THOGUS PRODUCTS 33490 PIN DAK PARKWAY AYOON LAKE OHIO 44012
MATERIAL POLYPROPYLENE	Part Number: TA10816/PP	SCALE 1:1
THIS PRINT AND THE SPECIFICATIONS ARE THE PROPERTY OF THOGUS PRODUCTS COMPANY AND HAVE BEEN ISSUED WITH THE UNDERSTANDING THAT ALL INFORMATION HEREON IS THE PROPERTY OF THOGUS PRODUCTS COMPANY AND WILL BE RETURNED UPON REQUEST.		SHEET 1 of 1

CONTROLLED DOCUMENT
ONLY IF IN RED