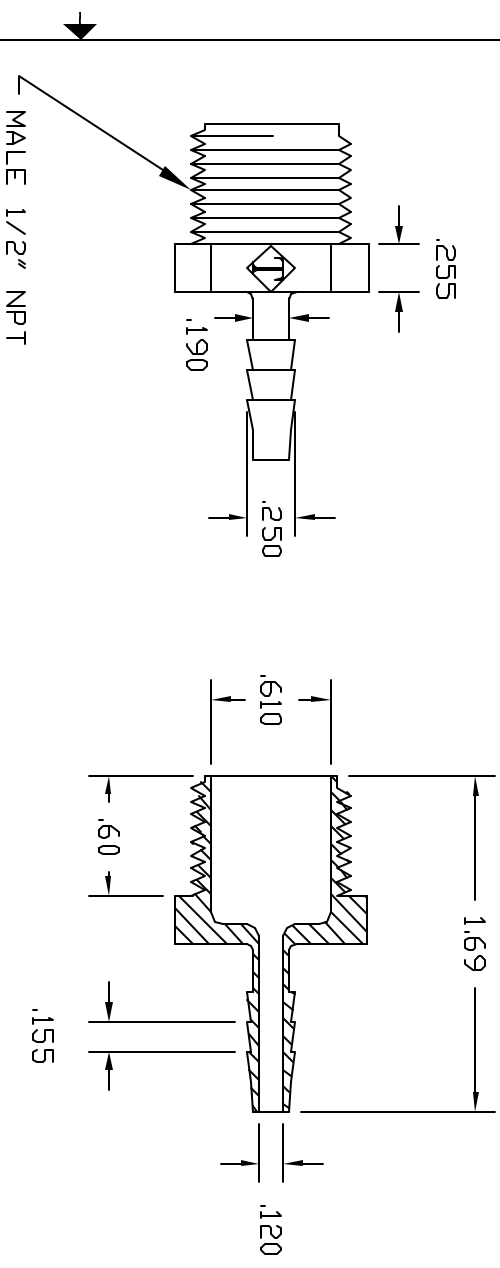


REV	DESCRIPTION	DATE	APPROVED
A	REDRAWN & RELEASED	2/97	2/97
B	MODIFY BARBS	12/02	12/02



MALE 1/2" NPT

CONTROLLED DOCUMENT  
ONLY IF IN RED

CONDONATIONAL  
THIS PRINT AND THE SPECIFICATIONS ARE THE PROPERTY OF THOGUS PRODUCTS COMPANY AND HAVE BEEN ISSUED WITH THE UNDERSTANDING THAT ALL RIGHTS ARE RESERVED FOR THE MANUFACTURE FOR OTHERS AND WILL BE RETURNED UPON REQUEST.

UNLESS OTHERWISE SPECIFIED DIMENSIONS ARE IN INCHES		DRAWN		DATE	
TOLERANCES UNLESS OTHERWISE SPECIFIED		NM		8/97	
XX +/- .05					
XXX +/- .015					
MATERIAL		POLYETHYLENE		PART NUMBER	
TA1083/P		SCALE 1:1		SHEET 1 of 1	
REV B		THOGUS PRODUCTS		33490 PIN DAK PARKWAY AYDON LAKE OHIO 44012	

Small text at the bottom of the page, likely a copyright or disclaimer notice.