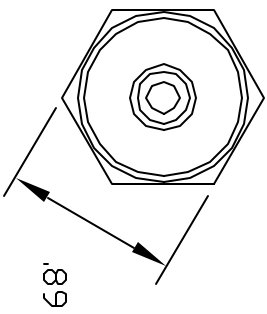
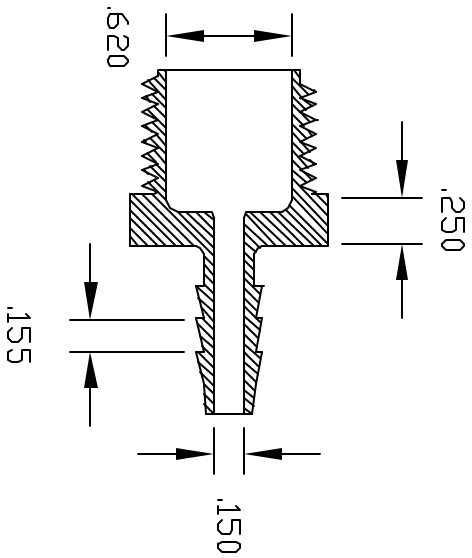
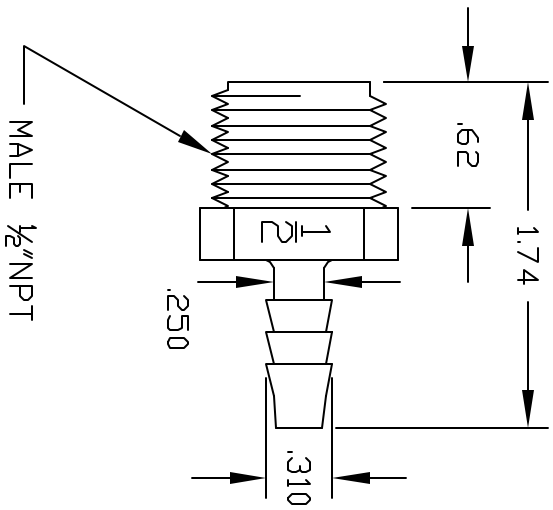


REV	DESCRIPTION	DATE	APPROVED
A	REDRAWN & RELEASED	2/97	2/97
B	MODIFIED BARBS	12/28/99	BM
C	UPDATE DWG	8/07	8/07



CONTROLLED DOCUMENT  
ONLY IF IN RED

**CONFIDENTIAL**  
THIS PRINT AND THE SPECIFICATIONS ARE THE PROPERTY OF THOGUS PRODUCTS COMPANY AND HAVE BEEN ISSUED WITH THE UNDERSTANDING THAT IT WILL NOT BE REPRODUCED, REVEALED TO OR USED FOR THE MANUFACTURE FOR OTHERS AND WILL BE RETURNED UPON REQUEST.

UNLESS OTHERWISE SPECIFIED DIMENSIONS ARE IN INCHES		PART NAME	
TOLERANCES	DECIMALS	1/2" NPT X 1/4" ADAPTER	
ANGULAR	ANGULAR		
.XX +/- .05	+/- .05		
.XXX +/- .015			
DRAWN	DATE	PART NUMBER	SCALE
BM	12/99	TA1084/N	SHEET 1 OF 1
THOGUS PRODUCTS	33450 PIN OAK PARKWAY		
	AVON LAKE OHIO 44012		
MATERIAL	NYLON	REV	C