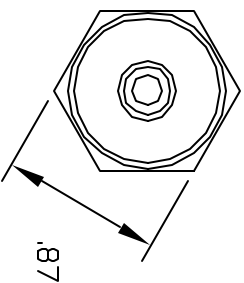
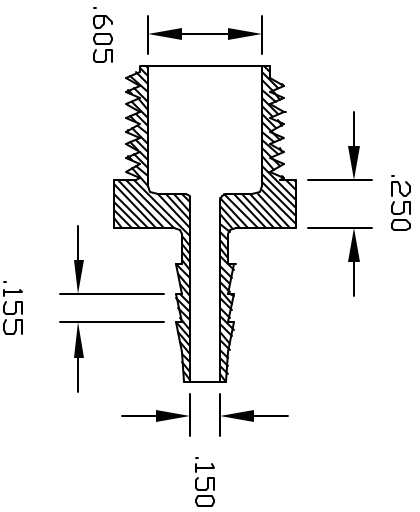
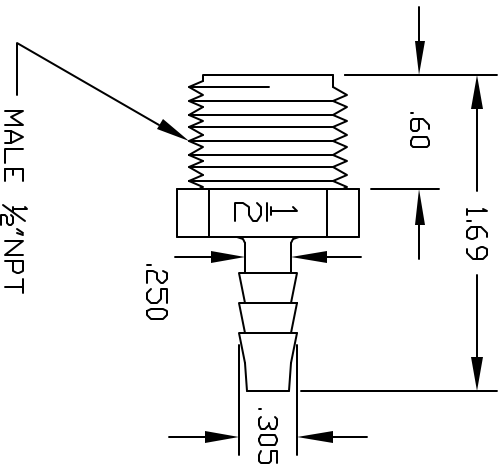


REV	DESCRIPTION	DATE	APPROVED
A	REDRAWN & RELEASED	2/97	2/97
B	MODIFIED BARBS	12/28/99	BM



UNLESS OTHERWISE SPECIFIED
DIMENSIONS ARE IN INCHES
TOLERANCES
DECIMALS ANGULAR
XX +/--.05 +/--.05
.XXX +/--.015

DRAWN DATE
BM 12/99

filename: 1084P
MATERIAL POLYETHYLENE

PART NAME:
1/2 NPT X 1/4 BARB ADAPTER

THOUGUS 33490 PIN OAK PARKWAY
PRODUCTS AVON LAKE OHIO 44012

PART NUMBER TA1084/P

SCALE 1:1 SHEET 1 OF 1 REV B

CONFIDENTIAL

THIS PRINT AND THE SPECIFICATIONS ARE THE PROPERTY OF THOGUS PRODUCTS COMPANY AND HAVE BEEN ISSUED WITH THE UNDERSTANDING THAT IT WILL NOT BE REPRODUCED, REVEALED TO OR USED FOR THE MANUFACTURE FOR OTHERS AND WILL BE RETURNED UPON REQUEST.