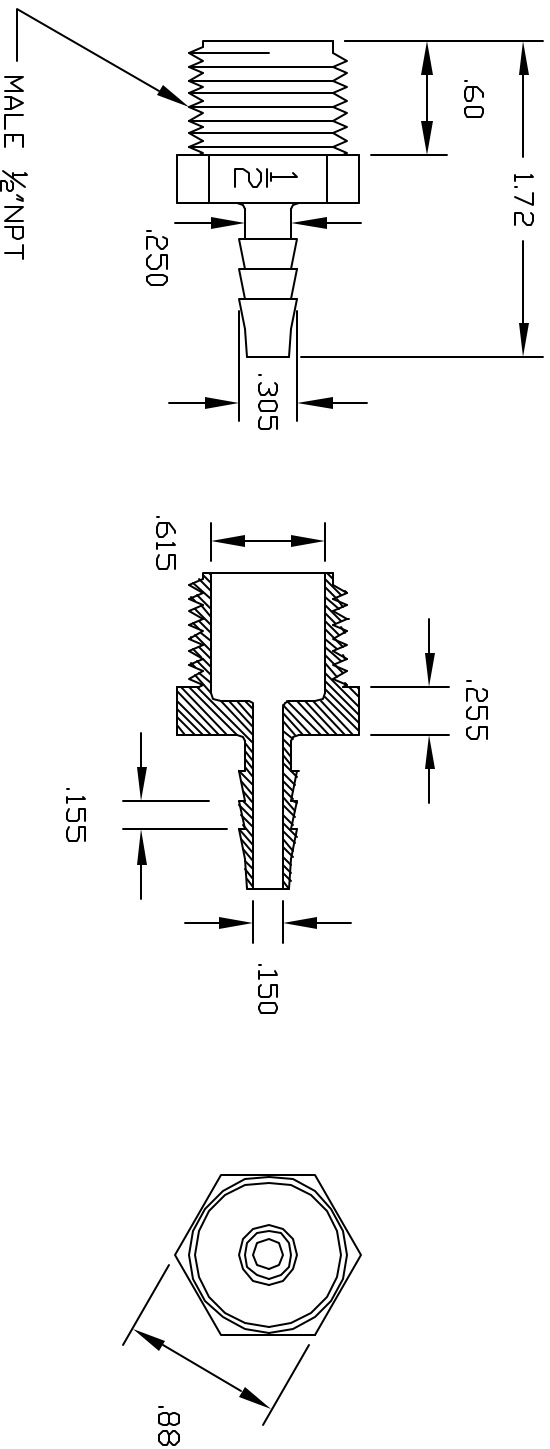


REV	DESCRIPTION	DATE	APPROVED
A	REDRAWN & RELEASED	2/97	2/97
B	MODIFIED BARBS	12/28/99	BM



COLOR: BLACK (PPB)
 NATURAL (PPN)

CONTROLLED DOCUMENT
 ONLY IF IN RED

UNLESS OTHERWISE SPECIFIED
 DIMENSIONS ARE IN INCHES
 DECIMALS
 TOLERANCES
 ANGULAR
 .XX +/--.05
 .XXX +/--.015

PART NAME:
1/2" NPT X 1/4" ADAPTER

THOUGUS PRODUCTS
 33490 PIN OAK PARKWAY
 AVON LAKE OHIO 44012

CONFIDENTIAL
 THIS PRINT AND THE SPECIFICATIONS
 ARE THE PROPERTY OF THOGUS
 PRODUCTS COMPANY AND HAVE BEEN
 ISSUED WITH THE UNDERSTANDING THAT
 IT WILL NOT BE REPRODUCED,
 REVEALED TO OR USED FOR THE
 MANUFACTURE FOR OTHERS AND WILL
 BE RETURNED UPON REQUEST.

DRAWN
BM
 DATE
 12/99

filename:
1084PP

MATERIAL
 POLYPROPYLENE

PART NUMBER
TA1084/PP

SCALE 1:1

SHEET 1 OF 1