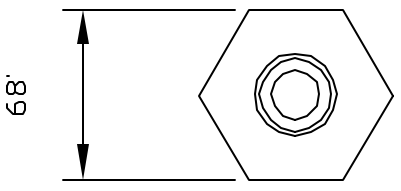
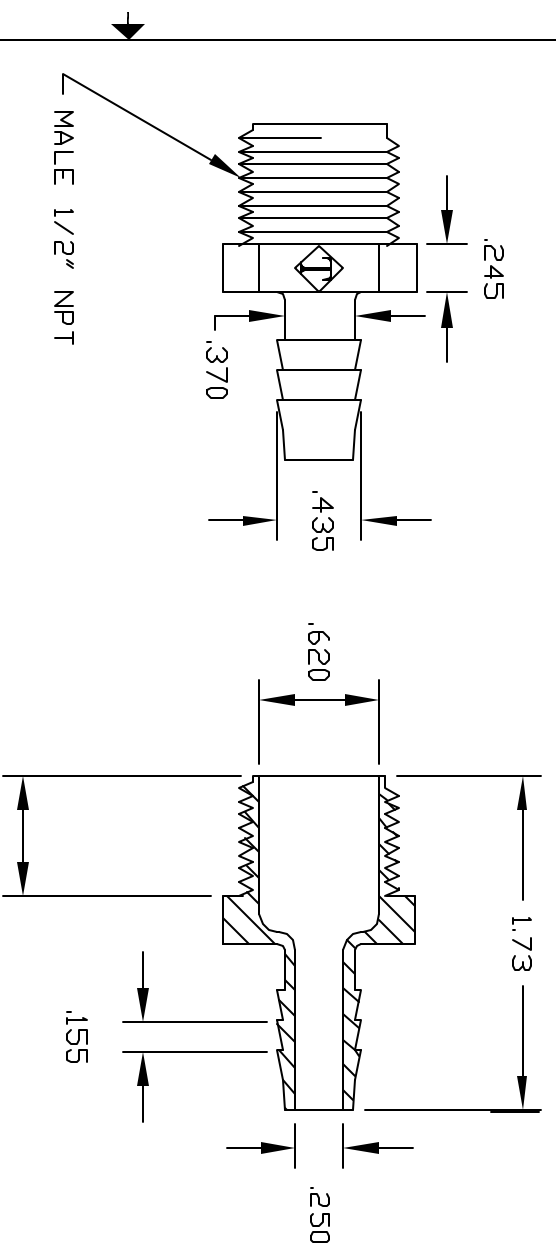


REV	DESCRIPTION	DATE	APPROVED
A	REDRAWN & RELEASED	2/97	2/97
B	MODIFY BARBS	12/02	12/02
C	UPDATE DWG	8/07	8/07



CONTROLLED DOCUMENT  
ONLY IF IN RED

THIS PRINT AND THE SPECIFICATIONS ARE THE PROPERTY OF THOGUS PRODUCTS COMPANY AND HAVE BEEN ISSUED WITH THE UNDERSTANDING THAT REPRODUCTION OF THE DESIGN FOR MANUFACTURE FOR OTHERS AND WILL BE RETURNED UPON REQUEST.

UNLESS OTHERWISE SPECIFIED DIMENSIONS ARE IN INCHES		Part Name: 1/2NPT X 3/8 BARB ADAPTER	
TOLERANCES UNLESS OTHERWISE SPECIFIED		Part Number: TA1086/N	
XX	+/- .05	33490 PIN DAK PARKWAY	
XXX	+/- .015	AVON LAKE OHIO 44012	
DRAWN	NM	DATE	8/97
FIELDWORK	1086N	THOGUS PRODUCTS	
MATERIAL	NYLON	SCALE	1 of 1
REV		C	