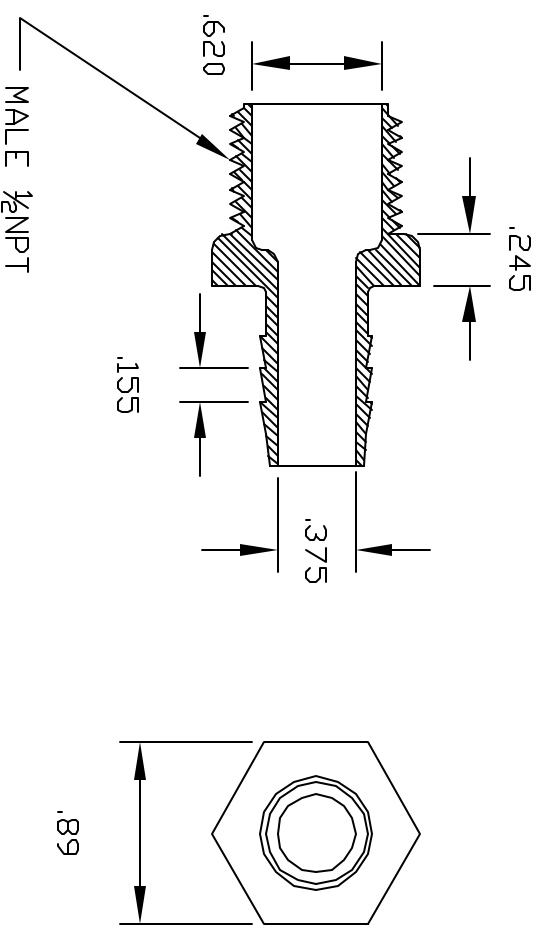
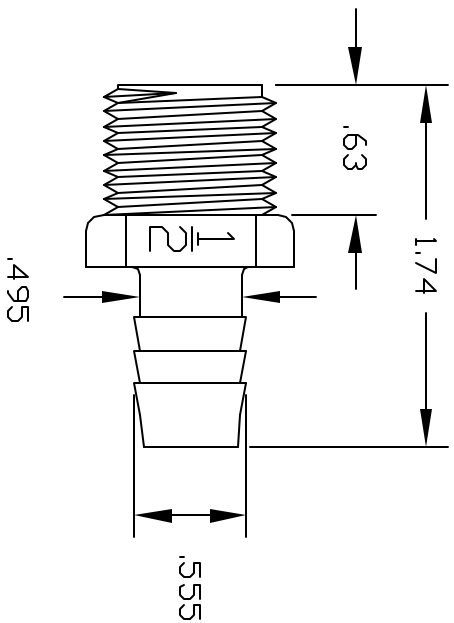


REV	DESCRIPTION	DATE	APPROVED
A	REDRAWN & RELEASED	2/97	2/97
B	MODIFIED BARB	12/28/99	BM
C	UPDATE DWG	8/07	8/07



CONTROLLED DOCUMENT
ONLY IF IN RED

CONSEQUENTIAL.
THIS PRINT AND THE SPECIFICATIONS ARE THE PROPERTY OF THOGUS PRODUCTS COMPANY AND HAVE BEEN ISSUED WITH THE UNDERSTANDING THAT IT WILL NOT BE REPRODUCED, REVEALED TO OR USED FOR THE MANUFACTURE FOR OTHERS AND WILL BE RETURNED UPON REQUEST.

UNLESS OTHERWISE SPECIFIED DIMENSIONS ARE IN INCHES TOLERANCES DECIMALS ANGULAR XXX +/- .015 +/- .05	DRAWN BM	DATE 12/99
MATERIAL NYLON	TEMPERATURE 1088N	

PART NAME 1/2" NPT X 1/2" ADAPTER	33490 PIN DAK PARKWAY AVON LAKE OHIO 44012
PART NUMBER TA1088/N	REV C
SCALE	SHEET 1 OF 1