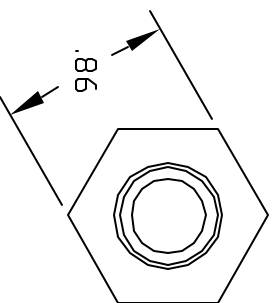
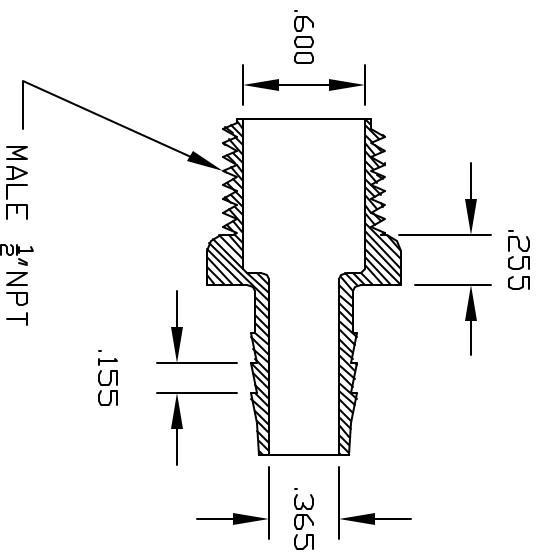
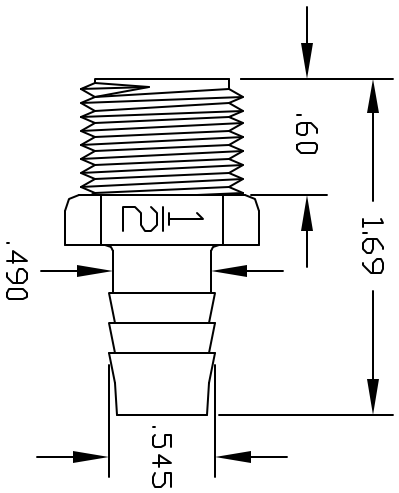


REV	DESCRIPTION	DATE	APPROVED
A	REDRAWN & RELEASED	2/97	2/97
B	MODIFIED BARB	12/28/99	BM



UNLESS OTHERWISE SPECIFIED
DIMENSIONS ARE IN INCHES
TOLERANCES
DECIMALS ANGULAR
.XX +/- .05 +/- .05
.XXX +/- .015

PART NAME:
1/2 NPT X 1/2 BARB ADAPTER

THOGUS 33490 PIN OAK PARKWAY
PRODUCTS AVON LAKE OHIO 44012

CONFIDENTIAL

THIS PRINT AND THE SPECIFICATIONS ARE THE PROPERTY OF THOGUS PRODUCTS COMPANY AND HAVE BEEN ISSUED WITH THE UNDERSTANDING THAT IT WILL NOT BE REPRODUCED, REVEALED TO OR USED FOR THE MANUFACTURE FOR OTHERS AND WILL BE RETURNED UPON REQUEST.

DRAWN	BM	DATE	12/99
file name:	1088P		
MATERIAL	POLYETHYLENE		

PART NUMBER	TA1088/P	REV	B
SCALE	1:1	SHEET	1 OF 1