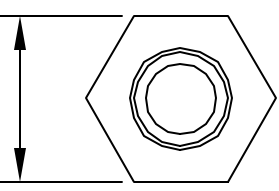
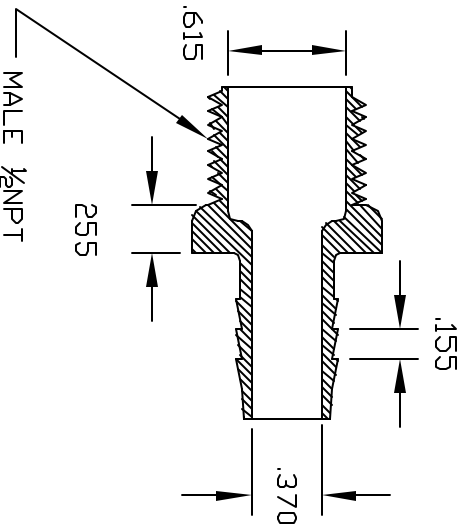
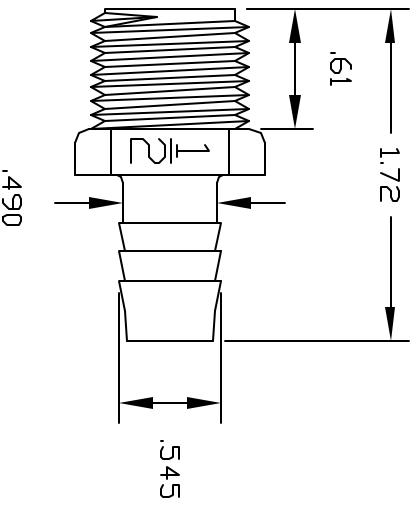


REV	DESCRIPTION	DATE	APPROVED
A	REDRAWN & RELEASED	2/97	2/97
B	MODIFIED BARB	12/28/99	BM



CONTROLLED DOCUMENT  
ONLY IF IN RED

UNLESS OTHERWISE SPECIFIED  
DIMENSIONS ARE IN INCHES  
DECIMALS  
XX +/- .05  
.XXX +/- .015

**CONFIDENTIAL**

THIS PRINT AND THE SPECIFICATIONS ARE THE PROPERTY OF THOGUS PRODUCTS COMPANY AND HAVE BEEN ISSUED WITH THE UNDERSTANDING THAT IT WILL NOT BE REPRODUCED, REVEALED TO OR USED FOR THE MANUFACTURE FOR OTHERS AND WILL BE RETURNED UPON REQUEST.

COLOR: BLACK (PPB)

NATURAL (PPN)

PART NAME:  
**1/2" NPT X 1/2" ADAPTER**

**THOGUS PRODUCTS**  
33597 PIN OAK PARKWAY  
AVON LAKE OHIO 44012

DRAWN	DATE
BM	12/99
MATERIAL	
POLYPROPYLENE	
file name: <b>1088PP</b>	

PART NUMBER	SCALE	SHEET	OF
TA1088/PP	1:1	1	1