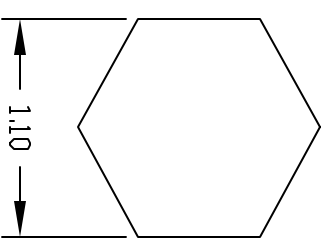
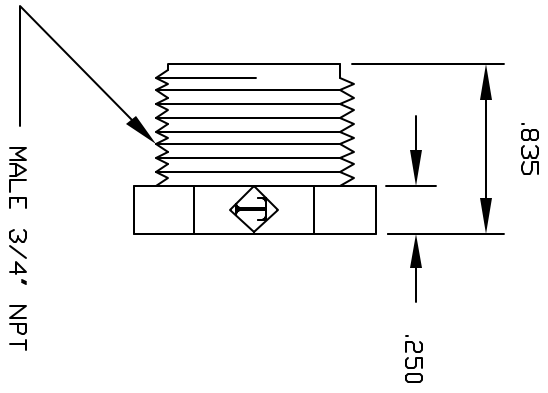
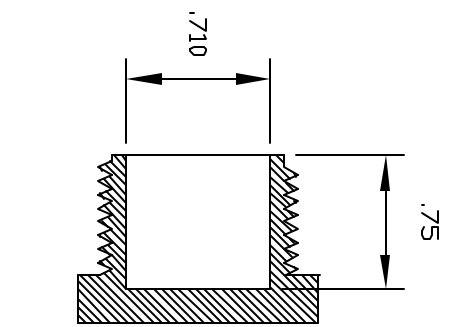


REVISIONS			
REV	DESCRIPTION	DATE	APPROVED
A	REDRAWN & RELEASED	1/98	1/98
B	UPDATE DWG	9/07	9/07



CONTROLLED DOCUMENT
ONLY IF IN RED

CONFIDENTIAL
THIS PRINT AND THE SPECIFICATIONS ARE THE PROPERTY OF THOGUS PRODUCTS COMPANY AND HAVE BEEN LENT WITH THE UNDERSTANDING THAT IT IS TO BE KEPT FOR THE MANUFACTURE FOR OTHERS AND WILL BE RETURNED UPON REQUEST.

UNLESS OTHERWISE SPECIFIED DIMENSIONS ARE IN INCHES		Part Name: 3/4NPT PLUG	
DECIMAL FRACTIONS	THOUSANDS	3/4NPT PLUG	
XX +/- .05	+/-.05	33490 PIN DAK PARKWAY	
XXX +/- .015	+/-.015	AVON LAKE OHIO 44012	
DRAWN	DATE	Part Number	REV
4012P	1/98	TP4012/P	B
MATERIAL	FINISH	SHEET	OF
POLYETHYLENE		1	1